



**OPEN  
AUTOMATIONS  
SOLUTIONS**

Official  
Partner



**GEZE GC 304**  
**RADA MOVEMENT DETECTOR**

# Overview

## GEZE activation devices and sensor systems

### Activation of automatic drives

For the reliable operation of an automatic door, the choice of the appropriate activation devices is of considerable importance. The product range of the GEZE activation devices offers the optimum activation device for every door situation. GEZE activation devices

control and safeguard all GEZE automatic solutions according to international standards. They enable complete solutions from a single source, to be designed to meet individual needs.

### Automatic swing door systems



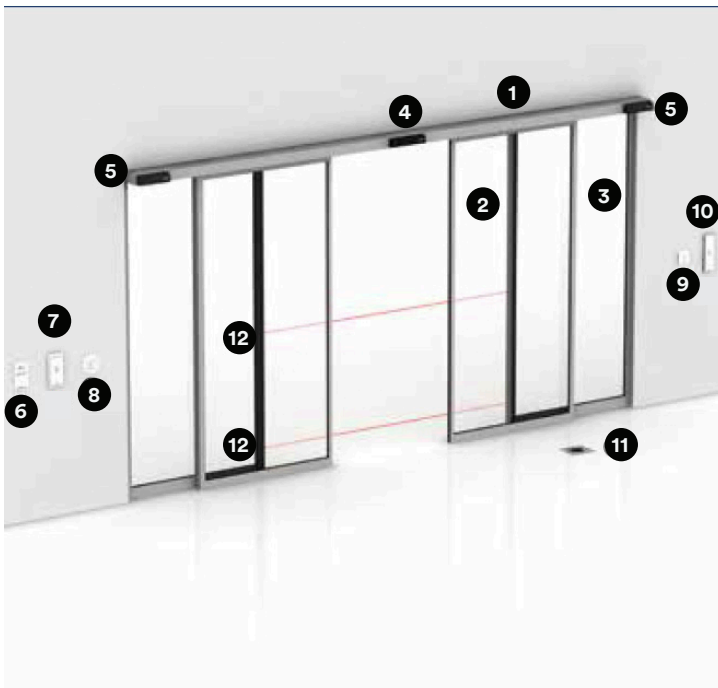
Automatic swing door systems from GEZE ease the access of a door every time when the manual opening is too hard or inconvenient. They are recommended in public as well as in private buildings, when convenience, accessibility, safety and hygiene are necessary or when energy has to be saved: in shopping centres, schools, office or industrial buildings, airports, clinics, vestibules or in private homes.

<b>1</b> swing door drive	<b>2</b> radar movement detector	<b>3</b> plastic elbow switch	<b>4</b> programme switch with key switch	<b>5</b> proximity switch	<b>6</b> elbow switch
<b>7</b> LED sensor button glass	<b>8</b> manual trigger switch	<b>9</b> LED sensor foot switch	<b>10</b> safety sensor		

# Overview

## GEZE activation devices and sensor systems

### Automatic sliding door systems



Sliding doors are space-saving, elegant and modern. As glass solutions, they are ideal when it comes to making good use of daylight and fulfilling optical criteria. Automatic sliding door systems from GEZE can be used to implement an extremely wide range of application requirements within one building. In the entrance area, in vestibules or for automating internal doors, the automatic sliding doors from GEZE combine design and barrier-free convenience. They also meet the demands made on escape and rescue routes.

<b>1</b> sliding door drive	<b>2</b> moving leaf	<b>3</b> fixed panel	<b>4</b> combined detector	<b>5</b> active infrared light curtain	<b>6</b> programme switch with key switch
<b>7</b> plastic elbow switch	<b>8</b> LED sensor button glass	<b>9</b> proximity switch	<b>10</b> elbow switch	<b>11</b> LED sensor foot switch	<b>12</b> photoelectric barriers

# Overview

## GEZE activation devices and sensor systems

### DIN 18650

The industrial standard DIN 18650 was created to be able to guarantee operators and users of automatic doors optimum safety. GEZE automatic doors as well as activation devices and sensor systems are type-tested according to DIN 18650 and certified.

### EN 16005

The European standard EN 16005 sets out the design requirements and testing methods used to ensure the safe use of automatic doors. The new standard has created a Europe-wide safety standard for automatic doors. All automatic door systems and safety sensors from GEZE meet the EN 16005 standard and are available.

## Automatic revolving door systems



The TSA 325 NT drive variant with its customer specific diameter as well as height and canopy height is the focal point of modern façade design – especially in large and representative buildings. Different materials for door leaves and drum walls offer a variety of design options. The revolving door is designed to take heavy loads and is thus the ideal solution for places that have a high frequency of visitors. Thanks to its high insulating effect against weather conditions, it also saves energy and ensures a good, consistent indoor climate.

**1**

revolving door drive  
(can alternatively be  
installed in the floor)

**2**

radar movement  
detector

**3**

active infrared  
light curtain

**4**

emergency stop  
button

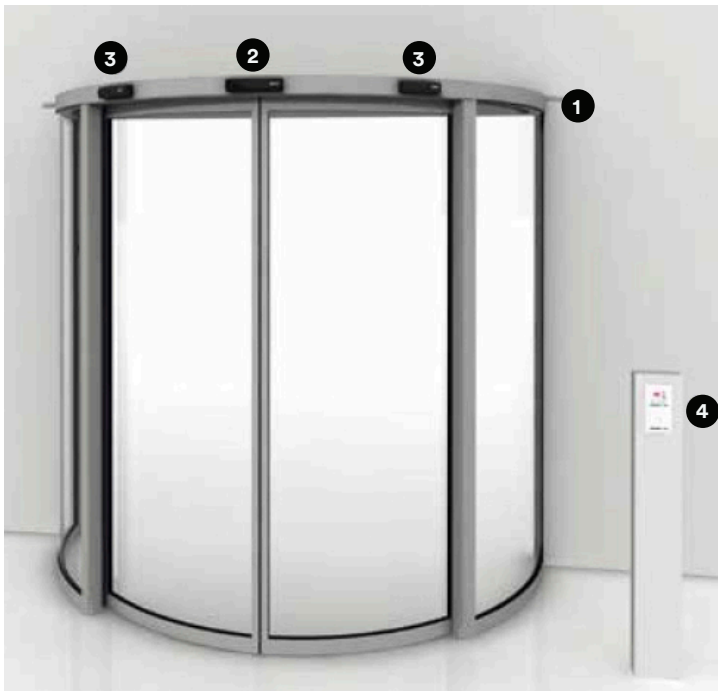
**5**

programme switch  
with key switch  
(bollard on-site)

# Overview

## GEZE activation devices and sensor systems

### Automatic curved sliding door systems



Automatic curved sliding door systems are a function and design element at the same time. Even with small outer dimensions, they create enormous space for passage. The door systems can be given a convex or concave form and can be connected to the building in different ways.

**1**

sliding door drive

**2**

combined detector

**3**

active infrared light curtain

**4**

programme switch with key switch (bollard on-site)

# Overview

Table for the application of activation devices on automatic door systems

Activation devices on automatic door systems				
Key	● = Yes			
	Swing doors	Sliding doors	Circular sliding doors	Revolving swing doors
<b>Activation</b>				
Radar movement detector	●	●	●	●
AIR movement detector	●			
Wireless programme	●	●	●	
Mechanical push button	●	●	●	
Sensor push button	●	●	●	
Rotary switch contact	●			
<b>Presence detectors</b>				
Light barriers		●		
Safety sensor	●			●
AIR light curtains		●	●	●
Laser scanner	●			
<b>Combined detectors</b>				
Detector including AIR light curtain		●	●	
<b>Programme switches</b>				
Programme switch	●	●	●	●
Key switch	●	●	●	●
Main / safety switch	●	●	●	●
<b>Smoke switches and control units</b>				
Smoke switches and control units	●			

# GEZE GC 304

radar movement detector



# GEZE activation

## GEZE GC 304 radar movement detector

### Radar movement detector with individual settings for activating automatic doors

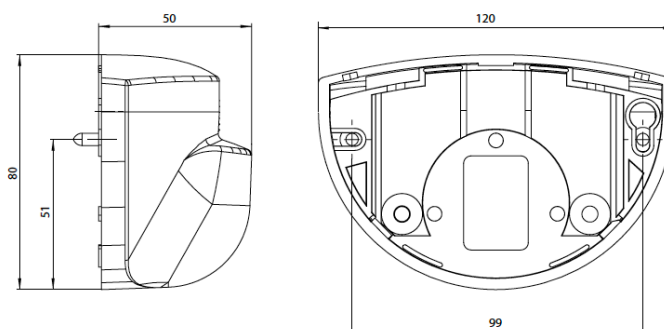
GEZE GC 304 is used on internal and external automatic doors. Due to individual settings, this detector can be configured for demanding environmental conditions e.g. for interlocking door systems, curved sliding doors and metal environments. The detector can be configured via switches or a remote control. The radar field is clearly defined (narrow field, wide field) and guarantees reliable detection even with difficult floor conditions (e.g. reflective floor, floor mat). The integrated motion tracking feature even identifies slow

movements, which is useful for people with restricted mobility. The detection of people's direction of movement and fading out of cross-traffic can contribute to energy saving, because the door's opening impulse is only triggered if necessary.

#### Special version

GC 304 SF: offers maximum security due to integrated self-monitoring, and is thus approved for use in emergency exits.

### GEZE GC 304 radar movement detector



### Application range

- Activation of automatic swing, sliding, folding, revolving and curved sliding doors
- Use on pavements and in passages so that passing persons do not trigger an opening impulse
- Use in homes for the elderly and care homes, so that even very slow-moving people and wheelchair users are safely identified
- Version SF: for use in emergency exits



# GEZE activation

## GEZE GC 304 radar movement detector

### Technical data

Product features	GEZE GC 304
Technology	Electromagnetic radar waves
Transmission frequency	24.175 GHz
Transmission frequency	GC 304 R: 24.175 GHz, GC 304 SF: 24.150 GHz
Operating voltage	12-24 V DC/AC
Operating current	approx. 85 mA at 24 V DC
Output	GC 304 R: potential-free relay output, 42 V AC/60 V DC, 1 A, 60 VA/30 W GC 304 SF: frequency output, transistor ON: 100 mA, transistor OFF: < 200 mA
Connection type	System plug-type connector
Height	80 mm
Width	120 mm
Depth	50 mm
Installation height (max.)	4000 mm
Connection cable	5000 mm
Weight	215 g
IP rating	IP54
Operating temperature	-20 – 55 °C
Humidity	< 90 % relative, non-condensing
Approvals	DIN 18650, EN 16005

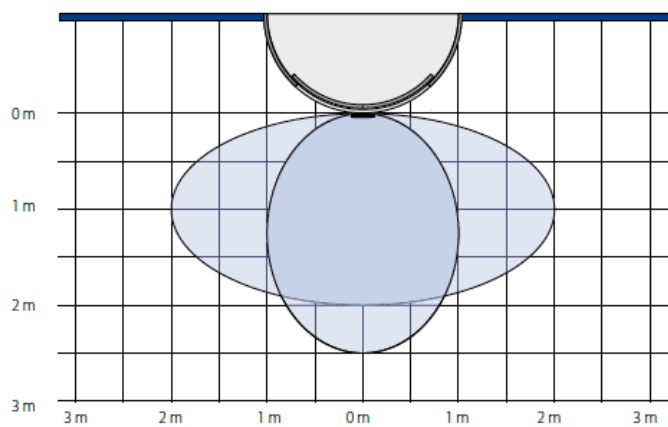
# GEZE activation

## GEZE GC 304 radar movement detector

### Detection area and application example

**Key**

**Narrow field (1):** min. 0.5 × 0.75 m (W x D), max. 2.0 × 2.5 m (W x D)  
**Wide field (2):** min. 1.0 × 0.5 m (W x D), max. 4.0 × 2.0 m (W x D)  
 Given values measured at installation height 2.2 m

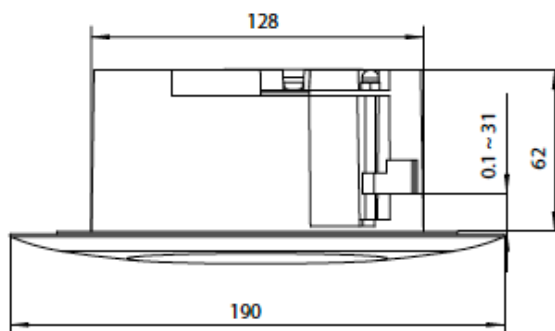


### Dimensional drawings for accessories

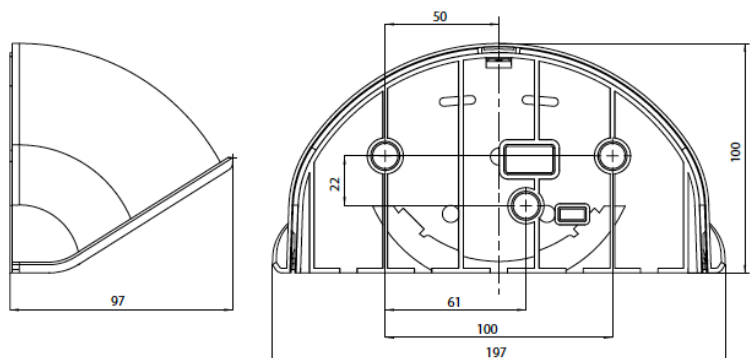
**Key**

\* = Ceiling cut-out

#### Ceiling installation kit for GC 304



#### Weather hood for GC 304



# GEZE activation

## GEZE GC 304 radar movement detector

### GEZE GC 304 - Order information

Description	Version	ID.No.
GC 304 R radar movement detector radar movement detector with individual settings for activating automatic doors	black	130651
GC 304 R SF radar movement detector activation of automatic doors in the escape direction	black	130652
Accessories		
Weather hood GC 304 Protection against rainfall in the outdoor area	transparent	130654
Ceiling installation kit GC 304 installation kit for integrating the sensor into the ceiling	black	130653
Remote control GC 363, GC 339, GC 304 Setting and parameter setting of GC 363, GC 339 and GC 304. Compatible with GC 362, GC 333, GC 333 C and ACTIV S GE	black	100061



**Contact Us:**

---

1300 12 OPEN  
info@oasa.com.au  
www.oasa.com.au