



OPEN AUTOMATIONS SOLUTIONS

Official
Partner

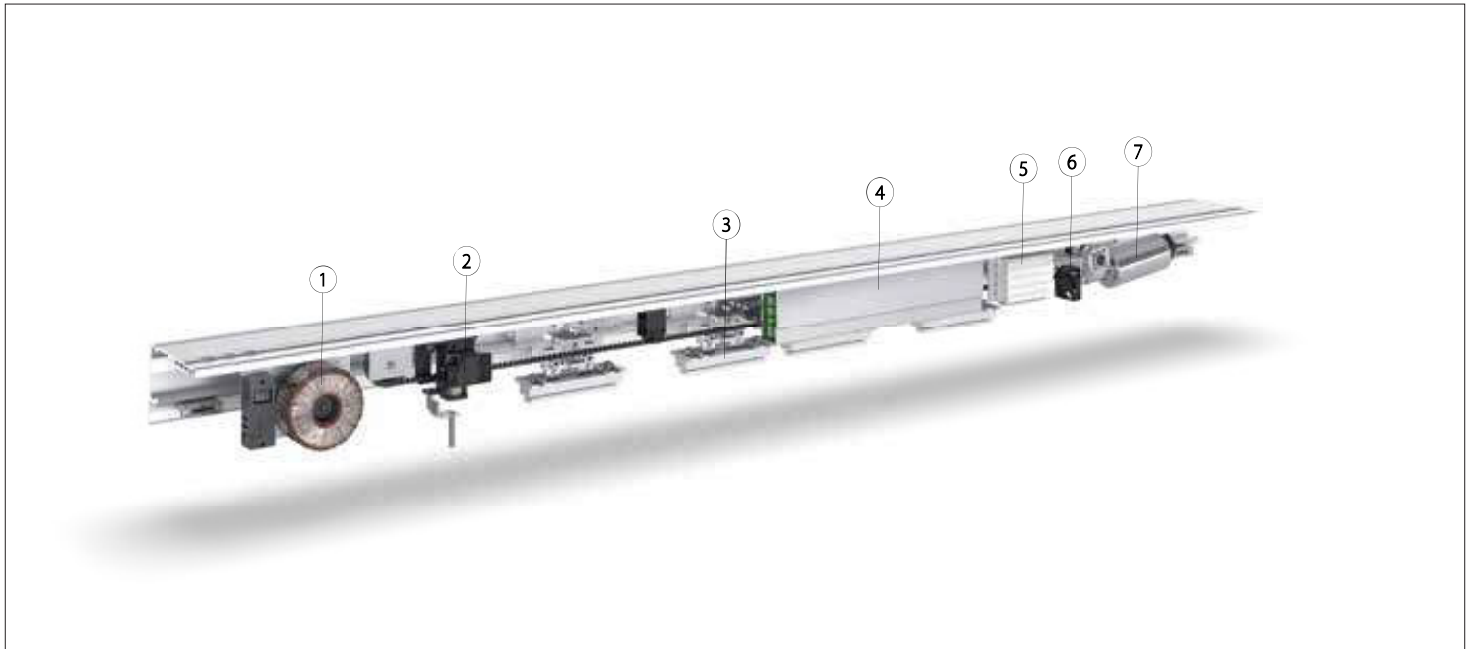


GEZE

Powerdrive PL

GEZE Powerdrive PL

Drive components



1 Transformer	2 Lock	3 Roller carriage	4 Control Unit	5 Rechargeable battery	6 Fan	7 Motor
-------------------------	------------------	-----------------------------	--------------------------	-------------------------------------	-----------------	-------------------

GEZE Powerdrive PL

Drive components

Key

● = Yes

Technical data	PL	PL-FR
Transformer	Ring core with protection and main switch	
Voltage	230 V	
Frequency	50 - 60 Hz	
Capacity Rating	200 W	
Locking	Toothed belt locking, electro-magnetic, bi-stable	
Roller carriage		
Door leaf adjustment vertical	12 mm	
Door leaf adjustment horizontal	40 mm	
Tiling protection	Standard	
Self-cleaning	●	●
Control unit	DCUI-NT	DCU1-2M-NT
with fault memory	●	●
with memory for statistical data	●	●
Software update possible	●	●
Bus interface optional	●	●
Connection for fire alarm system	●	●
Power supply for peripherals	●	●
Programmable inputs	3 pcs.	
Programmable outputs	2 pcs.	
Rechargeable battery	NiCd, 24 V, 700 mAh	
Motor	Gear motor	Double gear motor
Torque	400 Ncm	

GEZE Powerdrive PL

Fitting variants

Key

- = Yes
- = Not available

Door fittings	PL
ISO-glass fine-framed	●
MONO-glass fine-framed	●
GCprofile Therm, thermally separated profile system fine-framed	-
Toughened safety glass clamping profile	●
All-glass system (GGS)	-
Integrated all-glass system (IGG)	-
Wooden leaf (provided by customer)	●

Calculation of the drive length AL in mm*

Note:

Opening widths of escape route sliding doors < 1000 mm are only permitted in exceptional cases. A continuous floor guide is recommended for external systems from an opening width of 2000 mm.
The minimum opening widths depend on the requirements of building law.

Calculation of leaf and glass dimensions in mm

Powerdrive	PL		PL-FR**	
	Opening width (ÖW)	Drive length (AL) 2-	Opening width (ÖW)	Drive length (AL)
2-leaf	800 - 3000	$2 \times \text{ÖW} + 100$	800 - 3000	$2 \times \text{ÖW} + 100$
1-leaf	700 - 3000	$2 \times \text{ÖW} + 65$	700 - 3000	$2 \times \text{ÖW} + 65$

* Minimum overall length of the complete system with ISO glass profile system

** For FR variants (FR-RWS, FR-LL) request drawings!

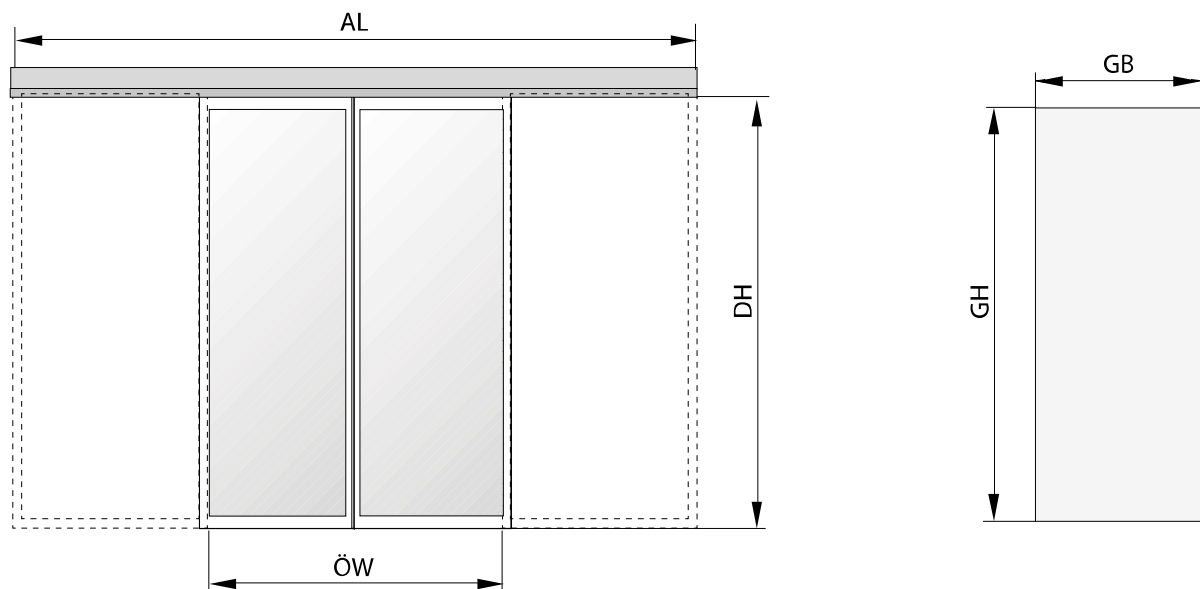
GEZE Powerdrive PL

Technical data

Note:

Max. leaf ratio width to height 1:4

Product features	ECdrive	ECdrive FR	PL HT	
Leaf width	1-leaf	ÖW+40	ÖW+ 35	ÖW+ 35
	2-leaf	ÖW /2 +40	ÖW /2 +35	ÖW/2+35
Leaf height	with cover 150 mm	DH		
	with cover 200 mm	DH+ 50		
Glass width	1-leaf	ÖW	ÖW	ÖW /+ 9
	2-leaf	ÖW/2	ÖW /2	ÖW /2+9
Glass height		FH -90	FH -90	FH-85
Glass thickness		22	22	10, 12



AL

Drive length

DH

Passage height

GB

Glass width

GH

Glass height

ÖW

Opening width



Contact Us:

1300 12 OPEN

info@oasa.com.au

www.oasa.com.au