



OPEN AUTOMATIONS SOLUTIONS

Official
Partner



FIRE DOORS

Contents

Introduction

03 Introduction to Fire doors



OPEN AUTOMATIONS

04 Fire Door Closers

05 TS 1500 BC

06 TS 1500 BCG

07 TS 2000 NVBC

08 TS 2000 NVBCG

09 TS 3000 VBC

10 TS 4000

11 TS 4000 G

12 TS 4000 S

13 TS 4000 E

14 TS 5000

15 TS 5000 L

16 TS 5000 S

17 TS 5000 E

18 TS 5000 L-E

19 TS 5000 R

20 TS 5000 L-R

21 TS 5000 ISM

22 TS 5000 L-ISM

23 TS 5000 E-ISM

24 TS 5000 L-E-ISM

25 TS 5000 R-ISM

26 TS 5000 L-R-ISM

27 TS 5000 EFS

28 TS 5000 RFS

29 Fire door Closers

34 Concealed Fire Door Closers

35 Boxer I

36 Boxer II

37 Boxer P



Introduction to fire doors

Ensure your building occupants are safe with world-leading fire door solutions. With a full range of door closers we have a fire door solution for every need. Our team of specialists can work with you to determine exactly what you need and design a solution to suit your compliance, access and safety requirements.

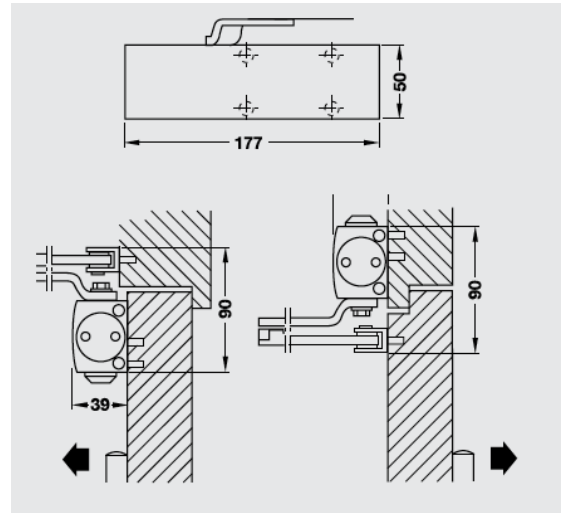
Fire door closers



Fire Door Closers

TS 1500 BC

EN 3, 4



+ Versions:	Supplied with back check function
+ Adjustment facility:	Closing force, closing speed and latching action adjustable
+ Installation:	Suitable for standard installation on pull side or overhead installation on push side
+ Closing force:	3 or 4 in compliance with EN 1154
+ Door width (mm):	<1, 100 mm
+ Hold open angle:	70 – 150°
+ Mounting:	For DIN left hand and DIN right hand use
+ Standard:	Certified in compliance with EN 1154:1996/A1:2002
+ Finish:	Silver coloured

Versions	Cat. No.
F TS 1500 BC with standard arm	931.17.149
TS 1500 BC with hold open arm	931.17.159
Parallel arm bracket to suit TS 1500 (standard arm only)	931.16.329

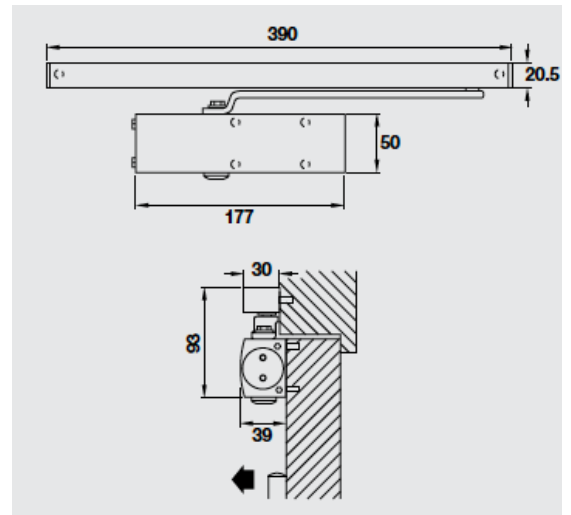
Packing: 1 piece

F **Fire resistance and smoke control**
Tested for fire resistance and smoke control doors. Further information available upon request.

Fire Door Closers

TS 1500 BCG

EN 1



+ Features:	DDA compliant
+ Version:	Supplied with back check function
+ Adjustment facility:	Closing speed and latching action adjustable
+ Installation:	Suitable for standard installation on pull side
+ Closing force:	1 in compliance with EN 1154
+ Door width (mm):	<750
+ Hold open angle:	80 – 130°
+ Mounting:	For DIN left hand and DIN right hand use
+ Standard:	Certified in compliance with EN 1154:1996/A1:2002
+ Finish:	Silver coloured

Versions	Cat. No.
F TS 1500 BCG with guide rail	931.17.169
TS 1500 BCG with guide rail and hold-open insert	931.17.179

Packing: 1 piece

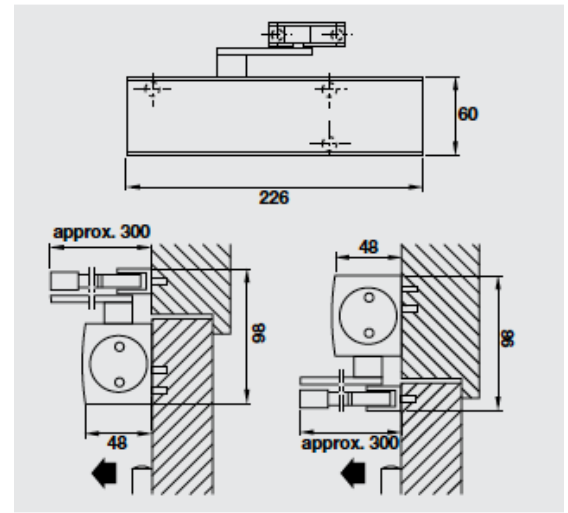
Note: Dimensions in mm Dimensional data not binding. We reserve the right to alter specifications without notice.

F **Fire resistance and smoke control**
Tested for fire resistance and smoke control doors. Further information available upon request.

Fire door closers

TS 2000 NVBC

EN 2, 3, 4



+ Version:	Supplied with back check function
+ Adjustment facility:	Closing force adjustment of the sizes 2, 3 and 4 from the side, closing speed adjustable from the front, latching action adjustment from the front
+ Installation:	Suitable for standard installation on pull side or overhead installation on push side
+ Closing force:	2, 3, 4 in compliance with EN 1154
+ Door width:	<1,100 mm
+ Hold open angle:	70 – 150°
+ Mounting:	For DIN left hand and DIN right hand use
+ Standard:	Certified in compliance with EN 1154:1997
+ Finish:	Silver, Matte black

	Versions	Cat. No.
F	TS 2000 NVBC set with standard arm, Silver	931.16.269
	TS 2000 NVBC set with standard arm, Matte Black	931.16.279
	TS 2000 NVBC set with hold open arm, Silver	931.16.329
	TS 2000 NVBC set with hold open arm, Matte Black	931.16.163
	Parallel arm bracket for TS1500/2000/4000, Silver	931.16.329
	Paralell arm bracket for TS1500/2000/4000, Matte Black	931.16.163

Packing: 1 piece

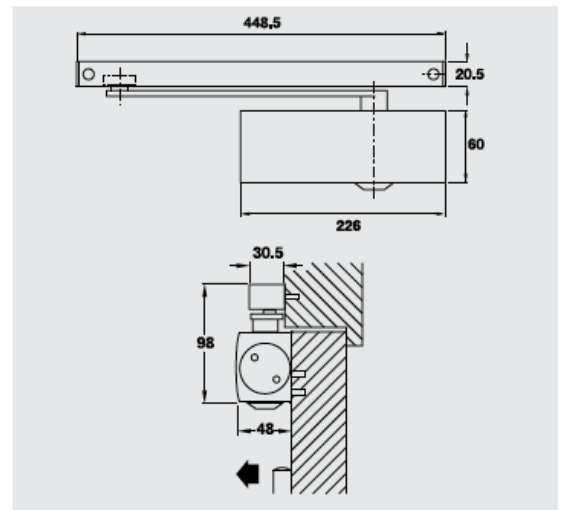
Note: Dimensions in mm Dimensional data not binding. We reserve the right to alter specifications without notice.

F **Fire resistance and smoke control**
Tested for fire resistance and smoke control doors. Further information available upon request.

Fire Door Closers

TS 2000 NVBCG

EN 1



+ Features:	DDA compliant
+ Version:	Supplied with back check function
+ Adjustment facility:	Closing speed valve adjustable, latching action valve adjustable. Optional with hold open device (not fire rated)
+ Installation:	Suitable DIN right hand and DIN left hand
+ Closing force:	EN1
+ Door width (mm):	750 - 850
+ Max. door opening angle:	Approx. 130°
+ Hold open angle:	80 - 130°
+ Finish:	Silver coloured

Versions	Cat. No.
F TS 2000 NVBCG set with guide rail, Silver	931.16.289
TS 2000 NVBCG set with guide rail, Matte Black	931.16.413
TS 2000 NVBCG set with guide rail and hold open insert, Silver	931.16.299

Packing: 1 piece

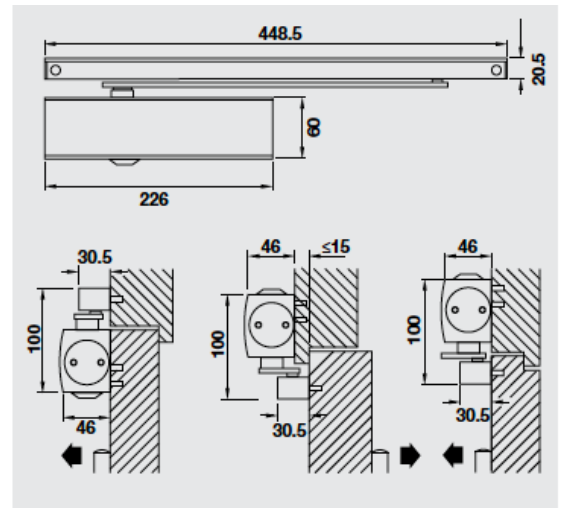
Note: Dimensions in mm Dimensional data not binding. We reserve the right to alter specifications without notice.

F **Fire resistance and smoke control**
Tested for fire resistance and smoke control doors. Further information available upon request.

Fire Door Closers

TS 3000 VBC

EN 1 - 4



+ Version:	Supplied with back check function
+ Adjustment facility:	Latching action and closing speed adjustable from the front, closing force adjustable from the side
+ Installation:	Standard installation (door leaf installation) on pull side, overhead installation (transom fixing) on pull side and push side
+ Closing force:	1 – 4 in compliance with EN 1154
+ Door width:	<1, 100 mm
+ Hold open angle:	80 – 130°
+ Mounting:	For DIN left hand and DIN right hand use
+ Standard:	Certified in compliance with EN 1154:1996/A1:2002
+ Finish:	Silver, Matte black

Versions	Cat. No.
F TS 3000 VBC set with guide rail, Silver	931.10.699
TS 3000 VBC set with guide rail, Matte Black	931.10.121
TS 3000 VBC set with guide rail and hold open insert, Silver	931.10.709
TS 3000 VBC set with T-stop guide rail	931.10.899

Packing: 1 piece

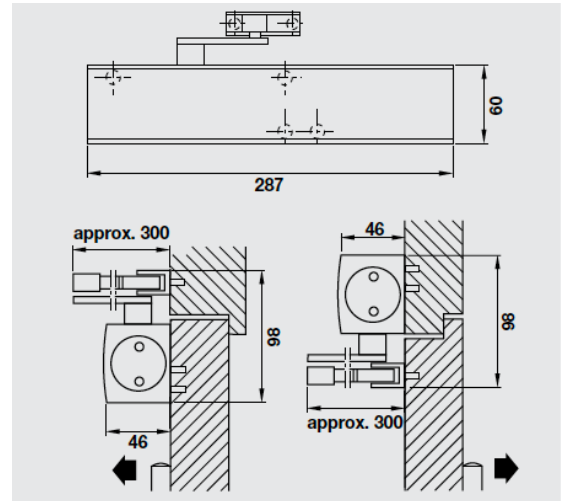
Note: T-stop guide rail should be used for all external installations. For transom mounting body of door closer must be inverted.

F **Fire resistance and smoke control**
Tested for fire resistance and smoke control doors. Further information available upon request.

Fire Door Closers

TS 4000

EN 1 - 6



+ Adjustment facility:	Closing force, closing speed and back check adjustable, latching action adjustment with arm
+ Installation:	Suitable for standard installation on pull side and overhead installation on push side
+ Closing force:	1 – 6 in compliance with EN 1154
+ Door width (mm):	<1, 400
+ Hold open angle:	Up to approx. 150°
+ Mounting:	For DIN left hand and DIN right hand use
+ Standard:	Certified in compliance with EN 1154:1996/A1:2002
+ Finish:	Silver, Matte black

Versions	Cat. No.
F TS 4000 set with standard arm, Silver	931.16.579
TS 4000 set with standard arm, Matte Black	931.16.573
TS 4000 set with hold open arm, Silver	931.16.589
Parallel arm bracket to suit TS 1500/2000/4000, Silver	931.16.329
Parallel arm bracket to suit TS 1500/2000/4000, Matte Black	931.16.163

Packing: 1 piece

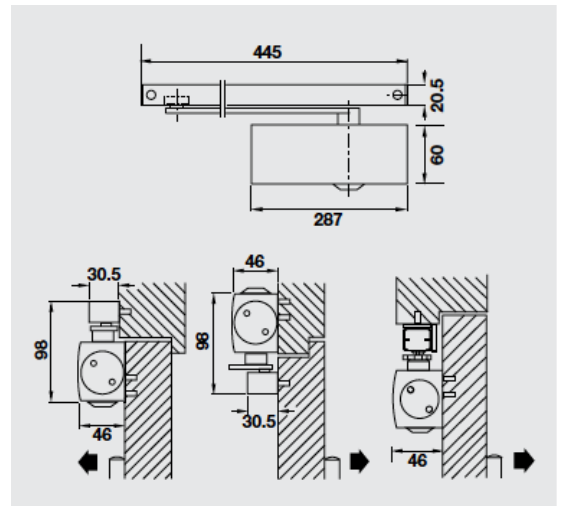
Note: For transom mounting body of door closer must be inverted.
For transom mounting body of door closer must be inverted.

F **Fire resistance and smoke control**
Tested for fire resistance and smoke control doors. Further information available upon request.

Fire Door Closers

TS 4000 G

EN 1 - 3



+ Features:	DDA compliant
+ Adjustment facility:	Closing force valve adjustable. Closing speed valve adjustable. Available with adjustable back check
+ Closing force:	EN1 - EN3
+ Door width (mm):	650 - 1250
+ Max. door opening angle:	Approx. 130°
+ Mounting:	Suitable for DIN right hand and DIN left hand
+ Standard:	Certified in compliance with EN 1145
+ Finish:	Silver, Matte black

Versions	Cat. No.
F TS 4000 G set with guide TS 4000 G set with guide rail, Silver	931.17.189
TS 4000 G set with guide rail, Matte Black	931.17.183
TS 4000 G set with guide rail and hold open insert, Silver	931.17.199

Packing: 1 piece

Note: TS4000G is designed for pull side operation only.



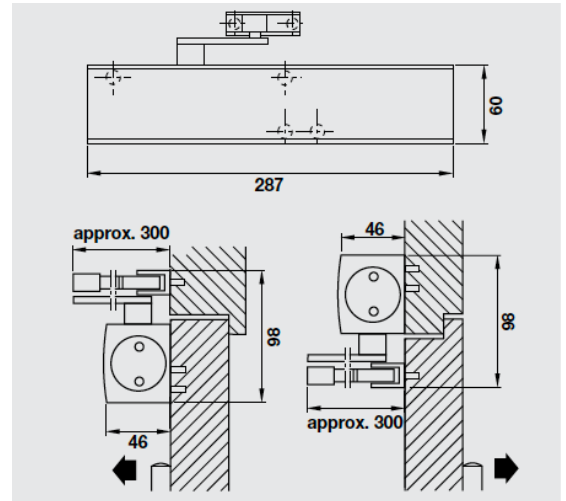
Fire resistance and smoke control

Tested for fire resistance and smoke control doors. Further information available upon request.

Fire Door Closers

TS 4000 S

EN 1 - 6



+ Version:	Supplied with delayed closing action
+ Adjustment facility:	Closing force valve adjustable. Closing speed valve adjustable. Available with adjustable back check
+ Installation:	Suitable for standard installation on pull side and overhead installation on push side
+ Closing force:	1 – 6 in compliance with EN 1154
+ Door width (mm):	<1, 400
+ Max. door opening angle:	Up to approx. 150°
+ Mounting:	For DIN left hand and DIN right hand use
+ Delayed closing action:	< 30 seconds
+ Standard:	Certified in compliance with EN 1154:1996/A1:2002
+ Finish:	Silver coloured

Versions	Cat. No.
F TS 4000 S set with standard arm	935.01.087
TS 4000 S set with hold open arm	935.01.088
Parallel arm bracket to suit TS 4000	931.16.329

Packing: 1 piece

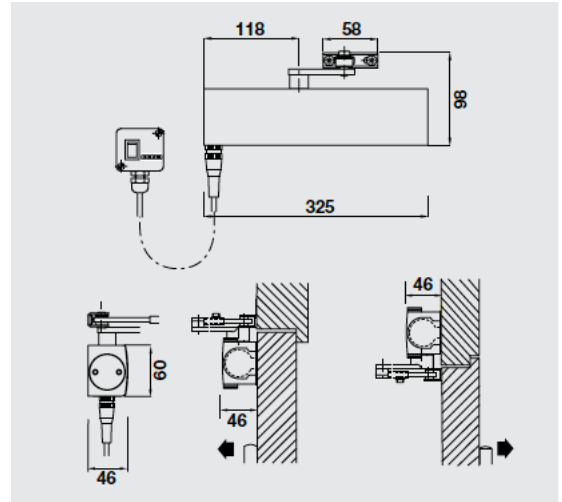
Note: For transom mounting body of door closer must be inverted.



Fire resistance and smoke control
Tested for fire resistance and smoke control doors. Further information available upon request.

Fire Door Closers

TS 4000 E



+ Version:	When voltage is applied to closer, the door is held open. When voltage is not present, the door will close automatically. The door can be closed manually at any time regardless of whether the voltage is applied or not
+ Adjustment facility:	Closing speed and closing force is valve adjustable from the front Latching action adjustable via arm position
+ Mounting:	Suitable for DIN right hand and DIN left hand. Optical indicator for closing force
+ Operating voltage:	24V DC $\pm 10\%$
+ Degree of protection:	IP43 (for indoor use only)
+ Closing Force:	1 - 6 in compliance with EN 1154
+ Hold open angle:	80 - 175°
+ Standard:	Certified in compliance with EN 1154 and EN1155
+ Door width:	<1400mm
+ Finish:	Silver coloured

Versions	Cat. No.
F TS 4000E set with standard arm	931.16.019
TS 4000E set without link arm	931.16.559
Free swing arm to suit TS 4000E	931.17.200

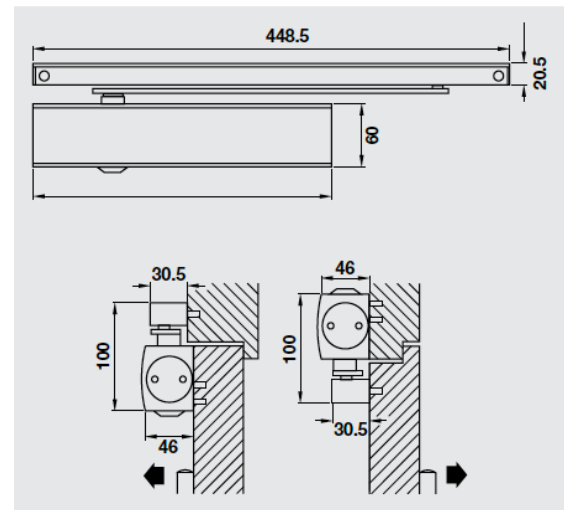
Packing: 1 piece

F **Fire resistance and smoke control**
Tested for fire resistance and smoke control doors. Further information available upon request.

Fire Door Closers

TS 5000

EN 2 - 6



+ Adjustment facility:	Closing force, closing speed, back check and latching action adjustable from the front
+ Installation:	Suitable for standard installation on pull side and overhead installation on push side
+ Closing force:	2 – 6 in compliance with EN 1154
+ Door width:	<1,400 mm
+ Opening angle:	<180°
+ Hold open angle:	80 – 130°
+ Mounting:	For DIN left hand and DIN right hand use
+ Standard:	Certified in compliance with EN 1154:1996/A1:2002
+ Finish:	Silver coloured

Versions	Cat. No.
F TS 5000 set with guide rail	931.10.609
TS 5000 set with guide rail and hold-open insert	931.10.619
TS 5000 set set with T-Stop guide rail	931.11.249

Packing: 1 piece

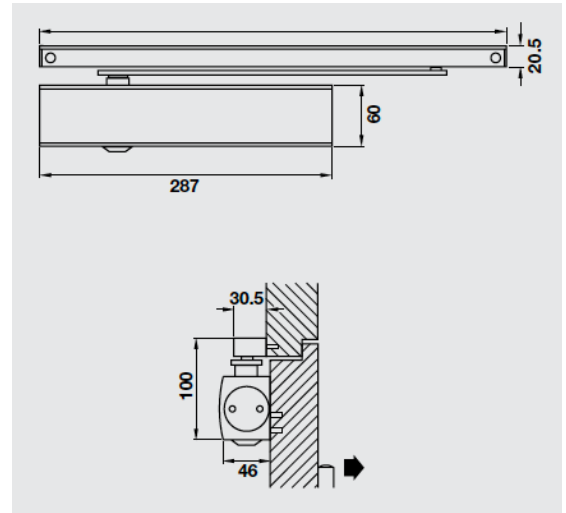
Note: T-stop guide rail should be used for all external installations. For transom mounting body of door closer must be inverted.

F **Fire resistance and smoke control**
Tested for fire resistance and smoke control doors. Further information available upon request.

Fire Door Closers

TS 5000 L

EN 2 - 6



+ Adjustment facility:	Closing force, closing speed, back check and latching action adjustable from the front
+ Installation:	Suitable for standard installation on push side
+ Closing force:	2 – 6 in compliance with EN 1154
+ Door width:	<1,400 mm
+ Opening angle:	<110°
+ Hold open angle:	80 – 110°
+ Mounting:	For DIN left hand and DIN right hand use
+ Standard:	Certified in compliance with EN 1154:1996/A1:2002
+ Finish:	Silver coloured

Versions	Cat. No.
F TS 5000 L set with guide rail	931.10.629
TS 5000 L set with guide rail and hold-open insert	931.10.639
TS 5000 L set set with T-Stop guide rail	931.11.259

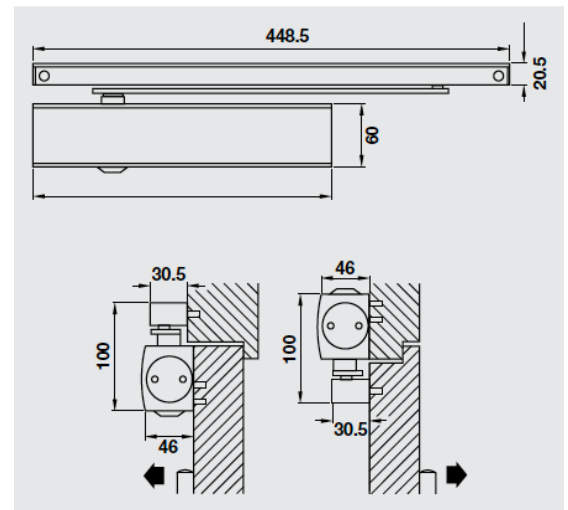
Packing: 1 piece

F **Fire resistance and smoke control**
Tested for fire resistance and smoke control doors. Further information available upon request.

Fire Door Closers

TS 5000 S

EN 2 - 6



+ Version:	Supplied with delayed closing action
+ Adjustment facility:	Closing force, closing speed, back check and latching action adjustable from the front
+ Installation:	Suitable for standard installation on pull side
+ Closing force:	2 – 6 in compliance with EN 1154
+ Door width:	<1,400 mm
+ Opening angle:	<180°
+ Hold open angle:	80 – 130°
+ Mounting:	For DIN left hand and DIN right hand use
+ Delayed closing action:	<30 seconds
+ Standard:	Certified in compliance with EN 1154:1996/A1:2002
+ Finish:	Silver coloured

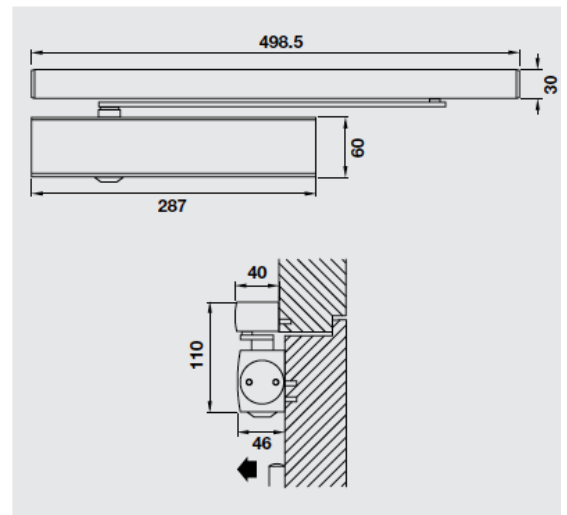
Versions	Cat. No.
F TS 5000 S set with guide rail	931.11.859
TS 5000 S set with guide rail and hold open insert	931.11.899

Packing: 1 piece

Fire Door Closers

TS 5000 E

EN 2 - 6



+ Version:	Supplied with electromechanical hold open function
+ Adjustment facility:	Closing force, closing speed, back check and latching action adjustable from the front
+ Installation:	Suitable for standard installation on pull side
+ Closing force:	2 – 6 in compliance with EN 1154
+ Door width (mm):	<1, 400
+ Nominal voltage:	24 V DC ±10%
+ Connecting load:	<100 mA
+ Degree of protection:	IP 43 (for indoor use only)
+ Rated for continuous duty:	100%
+ Opening angle:	<180°
+ Hold open angle:	80 – 130°
+ Mounting:	For DIN left hand and DIN right hand use
+ Standard:	Certified in compliance with EN 1154:1996/A1:2002 and EN 1155
+ Finish:	Silver coloured

Versions	Cat. No.
F TS 5000 E set with E guide rail	931.10.769

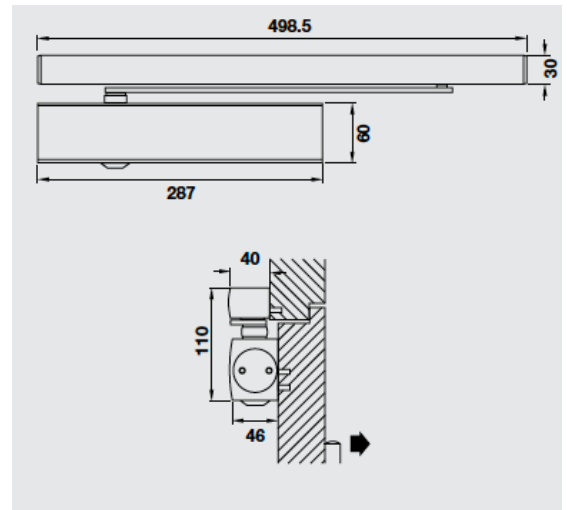
Packing: 1 piece

F **Fire resistance and smoke control**
Tested for fire resistance and smoke control doors. Further information available upon request.

Fire Door Closers

TS 5000 L-E

EN 2 - 6



+	Version:	Supplied with electromechanical hold open function
+	Adjustment facility:	Closing force, closing speed, back check and latching action adjustable from the front
+	Installation:	Suitable for standard installation on push side
+	Closing force:	2 – 6 in compliance with EN 1154
+	Door width (mm):	<1,400 mm
+	Nominal voltage:	24 V DC
+	Connecting load:	<100 mA
+	Degree of protection:	IP 43 (for indoor use only)
+	Rated for continuous duty:	100%
+	Opening angle:	<110°
+	Hold open angle:	80 – 130°
+	Mounting:	For DIN left hand and DIN right hand use
+	Standard:	Certified in compliance with EN 1154:1996/A1:2002 and EN 1155
+	Finish:	Silver coloured

Versions	Cat. No.
F TS 5000 L-E set with E guide rail	931.10.669

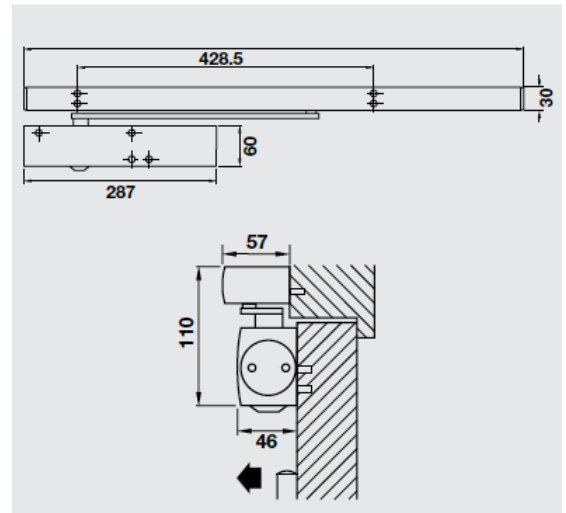
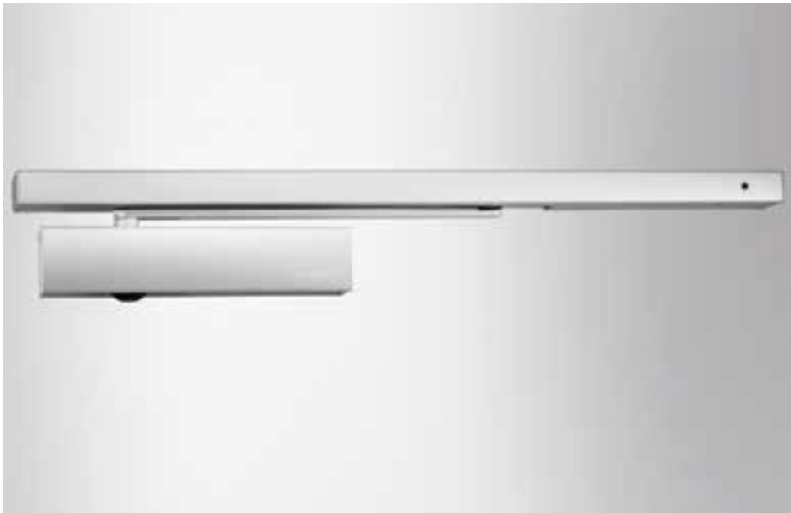
Packing: 1 piece

F **Fire resistance and smoke control**
Tested for fire resistance and smoke control doors. Further information available upon request.

Fire Door Closers

TS 5000 R

EN 2 - 6



+	Version:	Supplied with electromechanical hold open function, integrated central smoke switch unit, additional smoke alarms can be connected
+	Adjustment facility:	Closing force, closing speed, back check and latching action adjustable from the front
+	Installation:	Suitable for standard installation on pull side
+	Closing force:	2 – 6 in compliance with EN 1154
+	Door width (mm):	<1,400 mm
+	Nominal voltage:	230 V AC
+	Connecting load:	<200 mA
+	Degree of protection:	IP 20
+	Opening angle:	<180°
+	Hold open angle:	80 – 130°
+	Operating temperature range:	0 – +50 °C
+	Mounting:	For DIN left hand and DIN right hand use
+	Standard:	Certified in compliance with EN 1154:1996/A1:2002 and EN 1155
+	Finish:	Silver coloured

Versions	Cat. No.
F TS 5000 R set with R guide rail	931.10.789

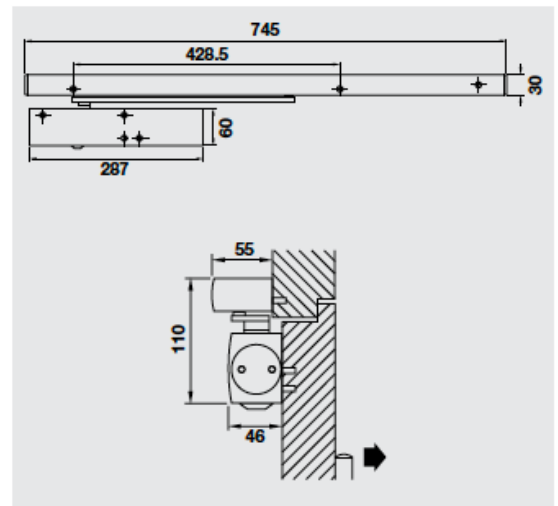
Packing: 1 piece

F **Fire resistance and smoke control**
Tested for fire resistance and smoke control doors. Further information available upon request.

Fire Door Closers

TS 5000 L-R

EN 2 - 6



+ Version:	Supplied with electromechanical hold open function, integrated central smoke switch unit, additional smoke alarms can be connected
+ Adjustment facility:	Closing force, closing speed, back check and latching action adjustable from the front
+ Installation:	Suitable for standard installation on push side
+ Closing force:	2 – 6 in compliance with EN 1154
+ Door width:	<1,400 mm
+ Nominal voltage:	230 V AC
+ Connecting load:	<230 mA
+ Degree of protection:	IP 20
+ Opening angle:	<110°
+ Hold open angle:	80 – 130°
+ Operating temperature range:	-5 – +50 °C
+ Mounting:	For DIN left hand and DIN right hand use
+ Standard:	Certified in compliance with EN 1154:1996/A1:2002 and EN 1155
+ Finish:	Silver coloured

Versions	Cat. No.
F TS 5000 L-R set with R guide rail	931.10.679

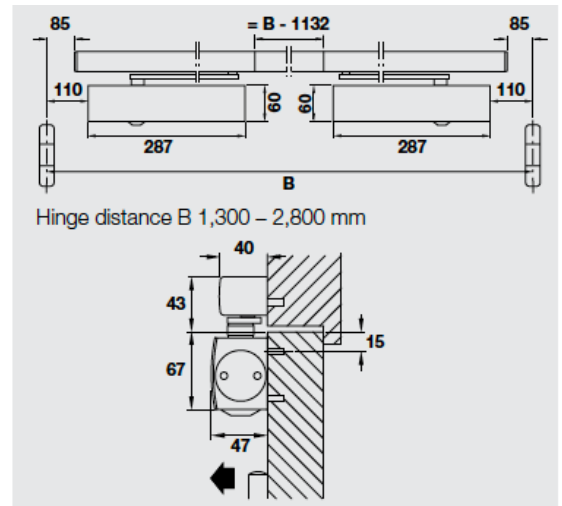
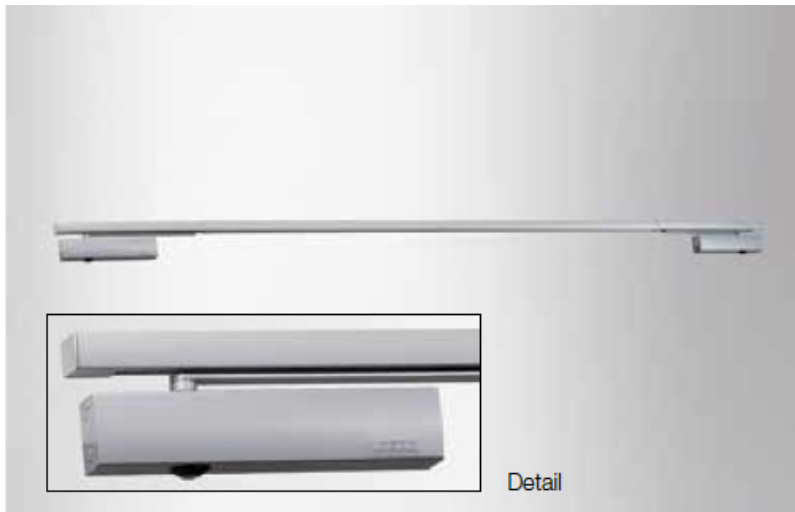
Packing: 1 piece

F **Fire resistance and smoke control**
Tested for fire resistance and smoke control doors. Further information available upon request.

Fire Door Closers

TS 5000 ISM

EN 2 - 6



+	Area of application:	For double doors
+	Version:	Supplied with 2 closers and door coordinator (integrated in ISM guide rail)
+	Adjustment facility:	Closing force, closing speed, back check and latching action adjustable from the front
+	Installation:	Suitable for standard installation on pull side
+	Closing force:	2 – 6 in compliance with EN 1154
+	For door width:	B = 1,300 – 2,800 mm
+	Opening angle:	<180°
+	Standard:	Certified in compliance with EN 1154:1996/A1:2002 and EN 1158
+	Finish:	Silver coloured

Versions	Cat. No.
F TS 5000 ISM set	931.11.759

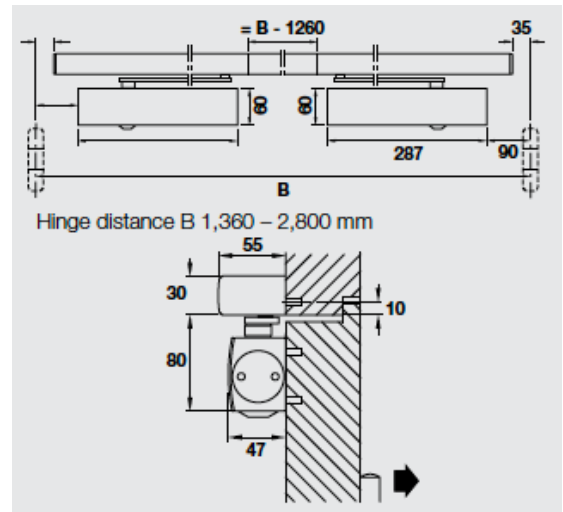
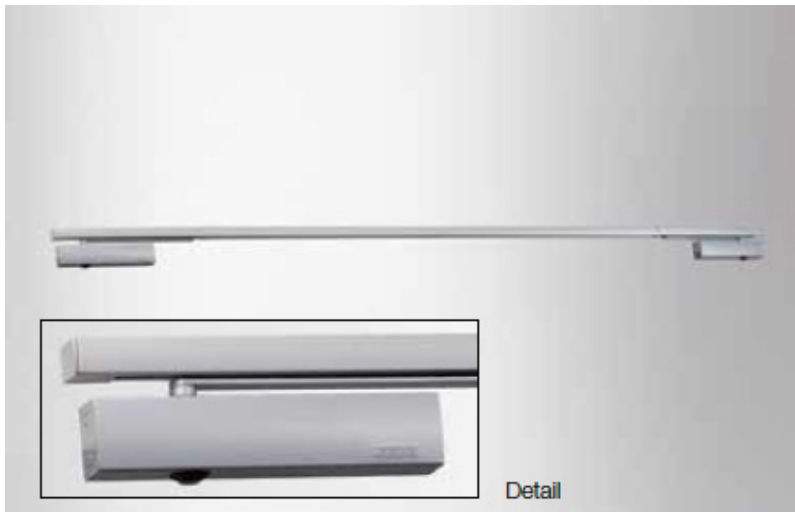
Packing: 1 piece

F **Fire resistance and smoke control**
Tested for fire resistance and smoke control doors. Further information available upon request.

Fire Door Closers

TS 5000 L-ISM

EN 2 - 6



+	Area of application:	For double doors
+	Version:	Supplied with 2 closers and door coordinator (integrated in ISM guide rail)
+	Adjustment facility:	Closing force, closing speed, back check and latching action adjustable from the front
+	Installation:	Suitable for standard installation on push side
+	Closing force:	2 – 6 in compliance with EN 1154
+	For door width:	B = 1,300 – 2,800 mm
+	Opening angle:	<120°
+	Standard:	Certified in compliance with EN 1154:1996/A1:2002 and EN 1158
+	Finish:	Silver coloured

Versions		Cat. No.
F	TS 5000 L-ISM set with ISM guide rail	931.11.369

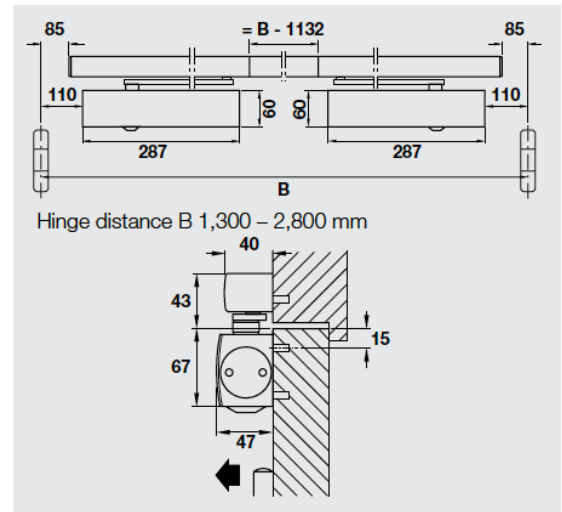
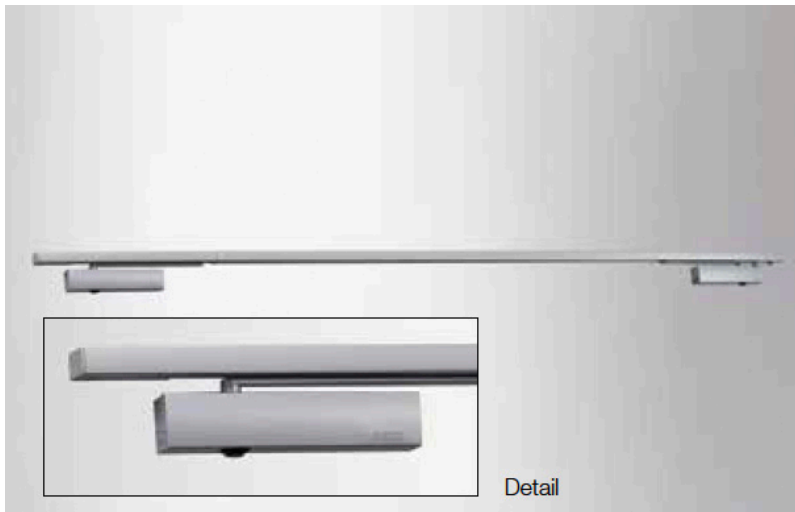
Packing: 1 piece

F **Fire resistance and smoke control**
Tested for fire resistance and smoke control doors. Further information available upon request.

Fire Door Closers

TS 5000 E-ISM

EN 2 - 6



+	Area of application:	For double doors
+	Version:	Supplied with 2 closers and door coordinator (integrated in E-ISM guide rail) with electromechanical hold open function
+	Adjustment facility:	Closing force, closing speed, back check and latching action adjustable from the front
+	Installation:	Suitable for standard installation on pull side
+	Closing force:	2 – 6 in compliance with EN 1154
+	Door width (mm):	B = 1,300 – 2,800
+	Nominal voltage:	24 V DC ±15%
+	Connecting load:	2 × 100 mA
+	Degree of protection:	IP 43 (for indoor use only)
+	Rated for continuous duty:	100%
+	Opening angle:	<180°
+	Hold open angle:	80 – 130°
+	Standard:	Certified in compliance with EN 1154:1996/A1:2002 and EN 1158
+	Finish:	Silver coloured

Versions	Cat. No.
F TS 5000 E-ISM with E-ISM guide rail	931.11.769

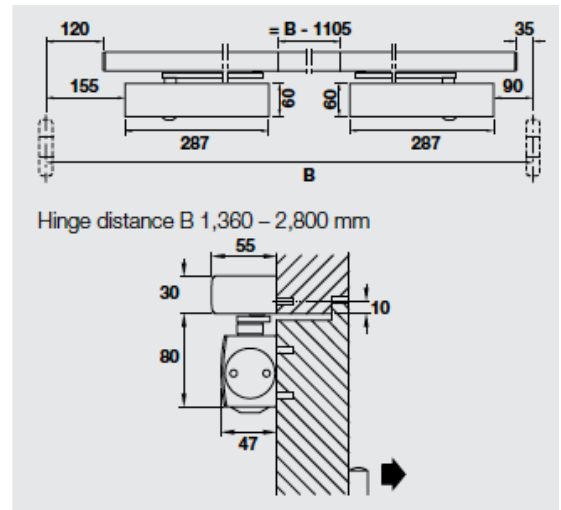
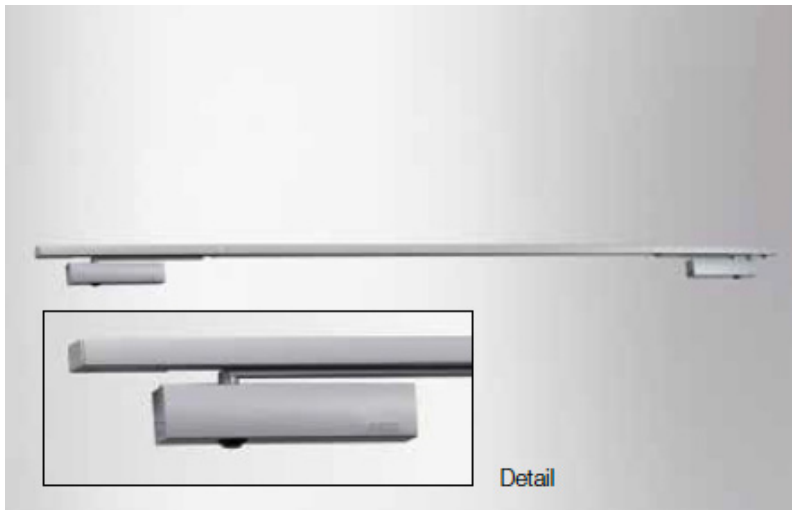
Packing: 1 piece

F **Fire resistance and smoke control**
Tested for fire resistance and smoke control doors. Further information available upon request.

Fire Door Closers

TS 5000 L-E-ISM

EN 2 - 6



+	Area of application:	For double doors
+	Version:	Supplied with 2 closers and door coordinator (integrated in E-ISM guide rail) with electromechanical hold open function
+	Adjustment facility:	Closing force, closing speed, back check and latching action adjustable from the front
+	Installation:	Suitable for standard installation on push side
+	Closing force:	2 – 6 in compliance with EN 1154
+	Door width (mm):	B = 1,360 – 2,800
+	Nominal voltage:	24 V DC $\pm 15\%$
+	Connecting load:	2 x 100 mA
+	Degree of protection:	IP 43 (for indoor use only)
+	Rated for continuous duty:	100%
+	Opening angle:	<110°
+	Hold open angle:	80 – 130°
+	Standard:	Certified in compliance with EN 1154:1996/A1:2002 and EN 1158
+	Finish:	Silver coloured

Versions	Cat. No.
F TS 5000 L-E-ISM with E-ISM guide rail	931.11.329

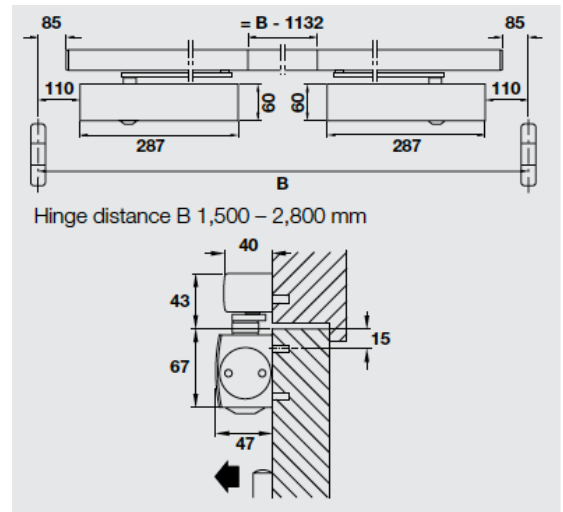
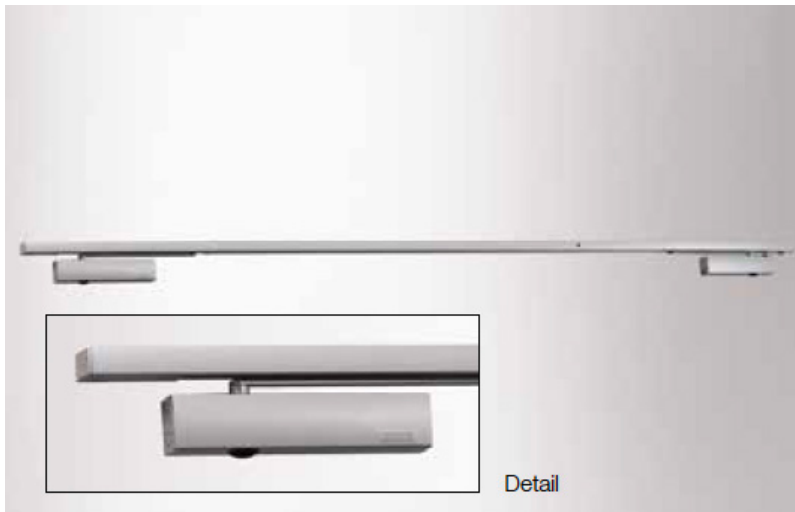
Packing: 1 piece

F Fire resistance and smoke control
Tested for fire resistance and smoke control doors. Further information available upon request.

Fire Door Closers

TS 5000 R-ISM

EN 2 - 6



+ Area of application:	For double doors
+ Version:	Supplied with 2 closers and door coordinator (integrated in R-ISM guide rail) with electromechanical hold open function and integrated central smoke switch unit. Additional smoke alarms can be connected
+ Adjustment facility:	Closing force, closing speed, back check and latching action adjustable from the front
+ Installation:	Suitable for standard installation on the pull side
+ Closing force:	2 – 6 in compliance with EN 1154
+ Door width (mm):	B = 1,500 – 2,800
+ Nominal voltage:	230 V AC
+ Connecting load:	< 200 mA
+ Degree of protection:	IP 20
+ Operating temperature range:	0 – + 50 °C
+ Opening angle:	<180°
+ Hold open angle:	80 – 130°
+ Standard:	Certified in compliance with EN 1154:1996/A1:2002 and EN 1158
+ Finish:	Silver coloured

Versions	Cat. No.
F TS 5000 R-ISM with R-ISM guide rail	931.11.799

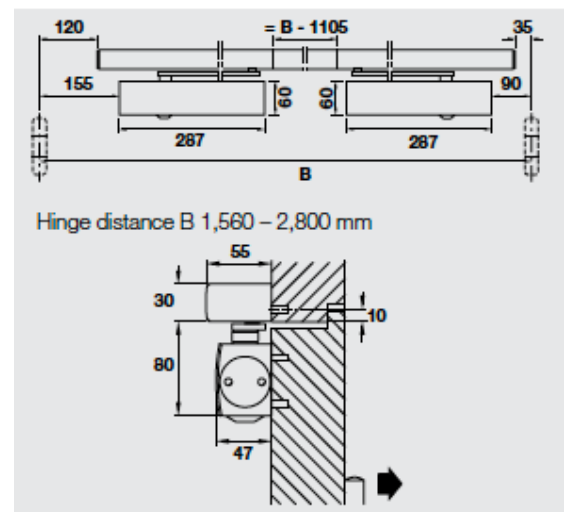
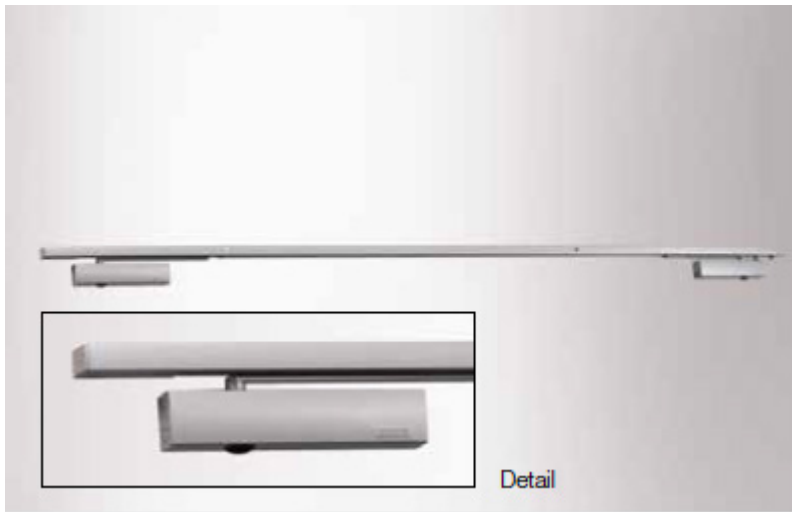
Packing: 1 piece

F **Fire resistance and smoke control**
Tested for fire resistance and smoke control doors. Further information available upon request.

Fire Door Closers

TS 5000 L-R-ISM

EN 2 - 6



+ Area of application:	For double doors
+ Version:	Supplied with 2 closers and door coordinator (integrated in R-ISM guide rail) with electromechanical hold open function and integrated central smoke switch unit, additional smoke alarms can be connected
+ Adjustment facility:	Closing force, closing speed, back check and latching action adjustable from the front
+ Installation:	Suitable for standard installation on push side
+ Closing force:	2 – 6 in compliance with EN 1154
+ Door width (mm):	B = 1,560 – 2,800
+ Nominal voltage:	230 V AC
+ Connecting load:	< 200 mA
+ Degree of protection:	IP 20
+ Operating temperature range:	0 – + 50 °C
+ Opening angle:	<110°
+ Hold open angle:	80 – 130°
+ Standard:	Certified in compliance with EN 1154:1996/A1:2002 and EN 1158
+ Finish:	Silver coloured

Versions	Cat. No.
F TS 5000 L-R-ISM VP set with R-ISM guide rail	931.11.349

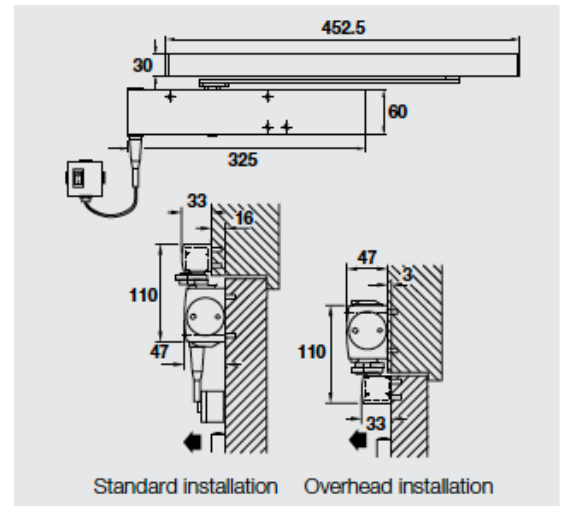
Packing: 1 piece

F **Fire resistance and smoke control**
Tested for fire resistance and smoke control doors. Further information available upon request.

Fire Door Closers

TS 5000 EFS

EN 3 -6



+	Version:	Supplied with free-swing function
+	Adjustment facility:	Closing force, closing speed and latching action adjustable from the front
+	Installation:	Suitable for standard or transom mount
+	Closing force:	3 – 6 in compliance with EN 1154
+	Door width (mm):	<1, 400
+	Nominal voltage:	24 V DC
+	Opening angle:	<180°
+	Mounting:	For DIN left hand and DIN right hand use
+	Standard:	Certified in compliance with EN 1154:1996/A1:2002 and EN 11555
+	Finish:	Silver coloured

	Versions	Cat. No.
F	TS 5000 EFS set with guide rail for standard installation	931.11.409
	TS 5000 EFS set with guide rail for overhead installation	931.11.419

Packing: 1 piece

Note: For transom mounting body of door closer must be inverted.



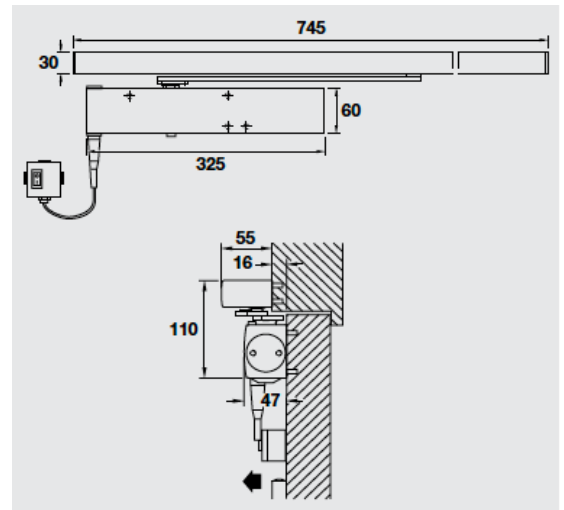
Fire resistance and smoke control

Tested for fire resistance and smoke control doors. Further information available upon request.

Fire Door Closers

TS 5000 RFS

EN 3 - 6



+	Version:	Supplied with integrated smoke detector with power supply unit, with free-swing function
+	Adjustment facility:	Closing force, closing speed and latching action adjustable from the front
+	Installation:	Suitable for standard installation
+	Closing force:	3 – 6 in compliance with EN 1154
+	Door width (mm):	<1, 400
+	Output voltage:	24 V DC V
+	Opening angle:	<180°
+	Mounting:	For DIN left hand and DIN right hand use
+	Standard:	Certified in compliance with EN 1154:1996/A1:2002 and EN 1155
+	Finish:	Silver coloured

Versions		Cat. No.
F	TTS 5000 RFS set with guide rail for standard installation	931.11.429

Packing: 1 piece

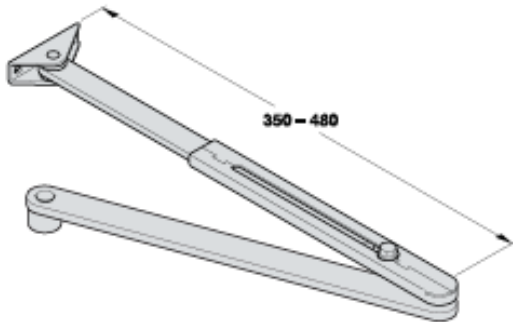


Fire resistance and smoke control

Tested for fire resistance and smoke control doors. Further information available upon request.

Fire Door Closers

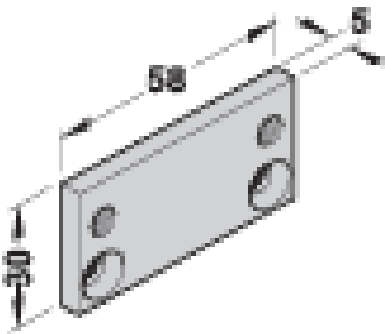
Door closers



Standard Arm

For TS 2000 and TS 4000

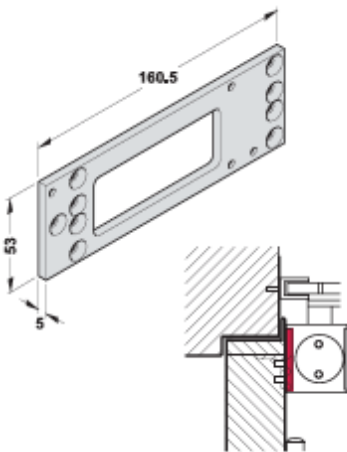
Area of application:	Cat. No.
To suit TS 2000 and TS 4000	
Silver coloured	931.16.169
Packing: 1 piece	



Mounting Plate

For TS 2000 and TS 4000

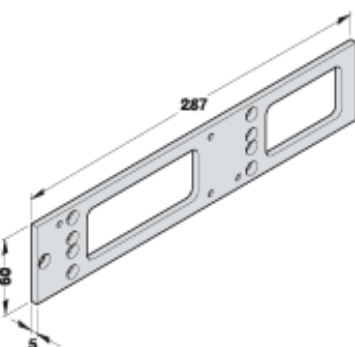
Area of application:	Cat. No.
For mounting onto narrow frame	
Silver coloured	931.11.919
Packing: 1 piece	



Mounting Plate

For TS 2000 NV

Area of application:	Cat. No.
For mounting the door closer on doors where a direct installation is not possible	
Silver coloured	931.17.129
Packing: 1 piece	



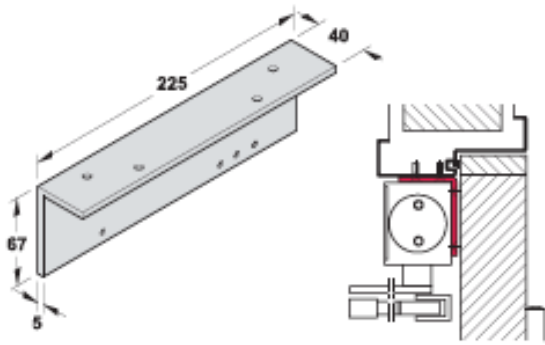
Mounting Plate

For TS 4000 and TS 5000

Area of application:	Cat. No.
For mounting the door closer on doors where a direct installation is not possible	
Silver coloured	931.16.309
Packing: 1 piece	

Fire Door Closers

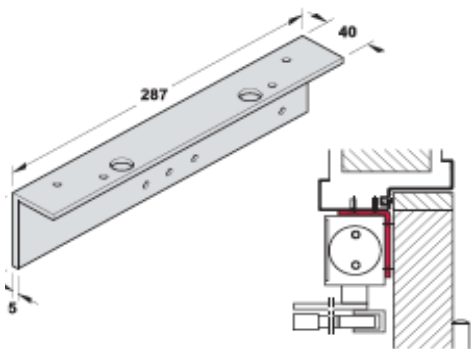
Door closers



Angle Bracket

For TS 2000 NV

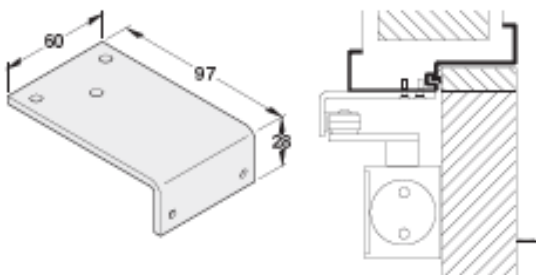
Area of application:	Cat. No.
For transom mounting on opposite hinge side	
Silver coloured	931.17.139
Packing: 1 piece	



Angle Bracket

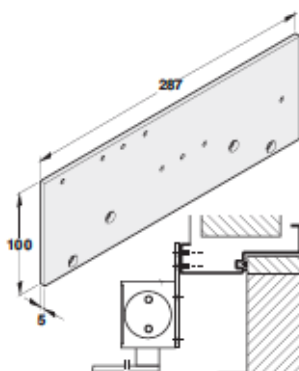
For TS 4000

Area of application:	Cat. No.
For transom mounting on opposite hinge side	
Silver coloured	931.16.339
Packing: 1 piece	



PA Bracket

Area of application:	Cat. No.
For transom mounting on opposite hinge side	
Silver coloured	931.16.329
Packing: 1 piece	



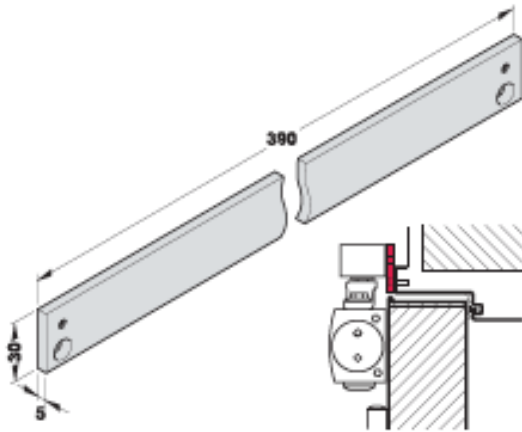
Drop Plate

For TS 4000 and TS 5000

Area of application:	Cat. No.
For mounting the door closer on doors where a direct installation is not possible	
Max. soffit depth (mm):	
130	
Silver coloured	931.16.309
Packing: 1 piece	

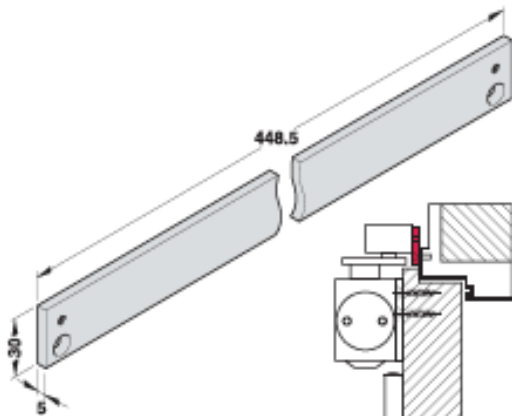
Fire Door Closers

Door closers



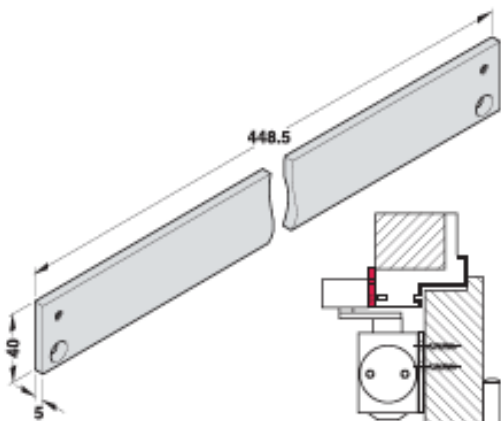
Mounting Plate For TS 1500 G Guide Rail

Area of application:	Cat. No.
To mount standard guide rail on doors where direct installation not possible	
Silver coloured	931.16.729
Packing: 1 piece	



Mounting Plate For TS 3000 and TS 5000 Standard Guide Rail

Area of application:	Cat. No.
To mount standard guide rail on doors where direct installation is not possible	
Silver coloured	931.10.471
Packing: 1 piece	

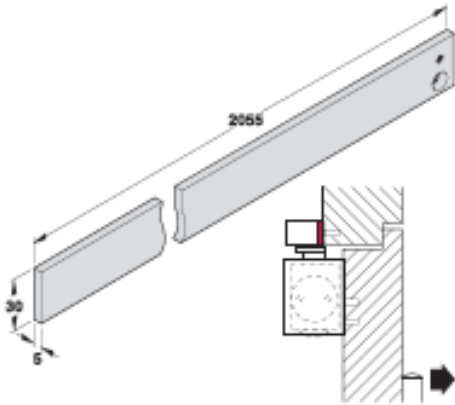


Mounting Plate For the guide rail BG TS 5000 L

Area of application:	Cat. No.
To mount standard guide rail on doors where a direct installation is not possible	
Silver coloured	931.11.949
Packing: 1 piece	

Fire Door Closers

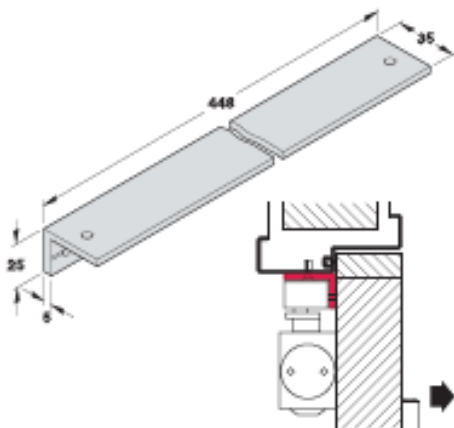
Door closers



Mounting Plate

For TS 5000 Guide Rail ISM BG, E-ISM BG and R-ISM BG

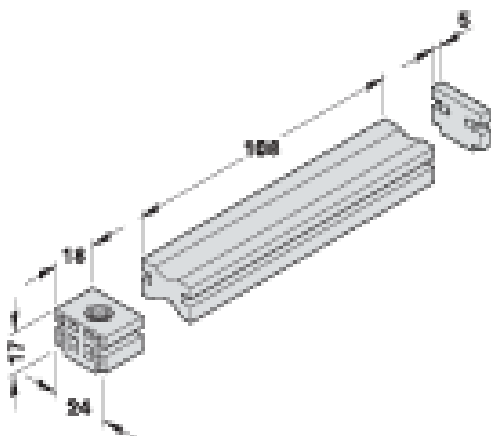
Area of application:	Cat. No.
For mounting the guide rail ISM BG, E-ISM BG and R-ISM to smoke and fire doors, direct mounting is not possible	
Silver coloured	931.16.729
Packing: 1 piece	



Angle Bracket

For TS 5000

Area of application:	Cat. No.
For transom mounting on opposite hinge side	
Silver coloured	931.10.471
Packing: 1 piece	



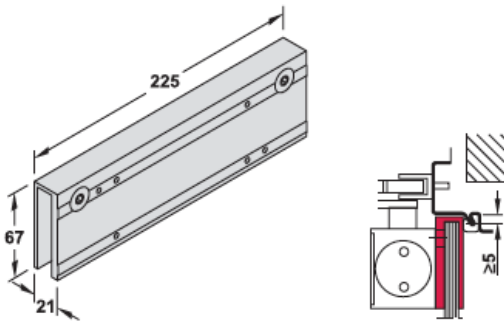
Opening Limiter

For TS 3000

Area of application:	Cat. No.
For riveted guide rail, standard guide rail BG, standard guide rail and Boxer 20.7mm guide rail	
Silver coloured	931.11.949
Packing: 1 piece	

Fire Door Closers

Door closers

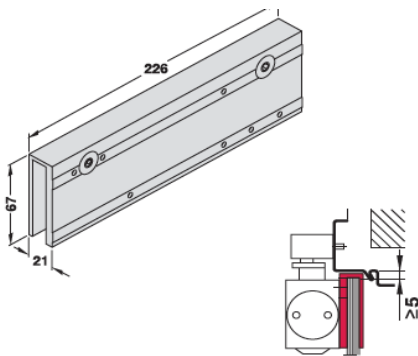


Clamping plate for frameless glass doors

For TS 2000

Area of application:	Cat. No.
For transom mounting on opposite hinge side	
Glass thickness (mm):	
8 - 10	
Silver coloured	931.16.379

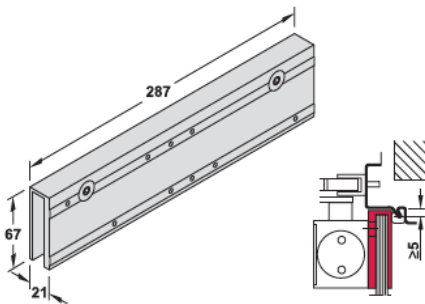
Packing: 1 piece



For TS 3000

Area of application:	Cat. No.
For mounting door closer to all-glass doors	
Glass thickness (mm):	
8 - 10*	
Silver coloured	931.10.509

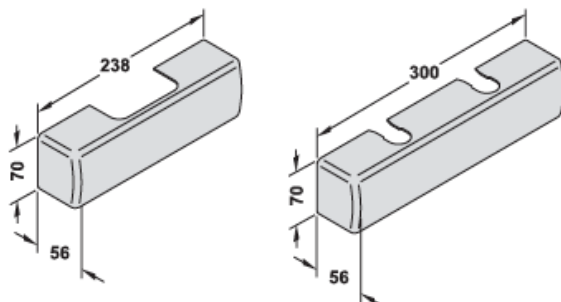
Packing: 1 piece



For TS 4000 and TS 5000

Area of application:	Cat. No.
For transom mounting on opposite hinge side	
Glass thickness (mm):	
8 - 10	
Silver coloured	931.16.329

Packing: 1 piece



Cover Cap for TS 5000 / TS 4000 / TS 3000 / TS 2000

Area of application:	Cat. No.				
Cover cap for basic closer					
To suit	Silver coloured	Stainless steel coloured	Dark bronze	Brass coloured	White, RAL 9016
TS 2000 / TS 3000	931.10.429	931.10.420	931.10.421	931.10.428	931.10.427
TS 4000 / TS 5000	931.10.409	931.10.400	931.10.401	931.10.408	931.10.407

Packing: 1 piece

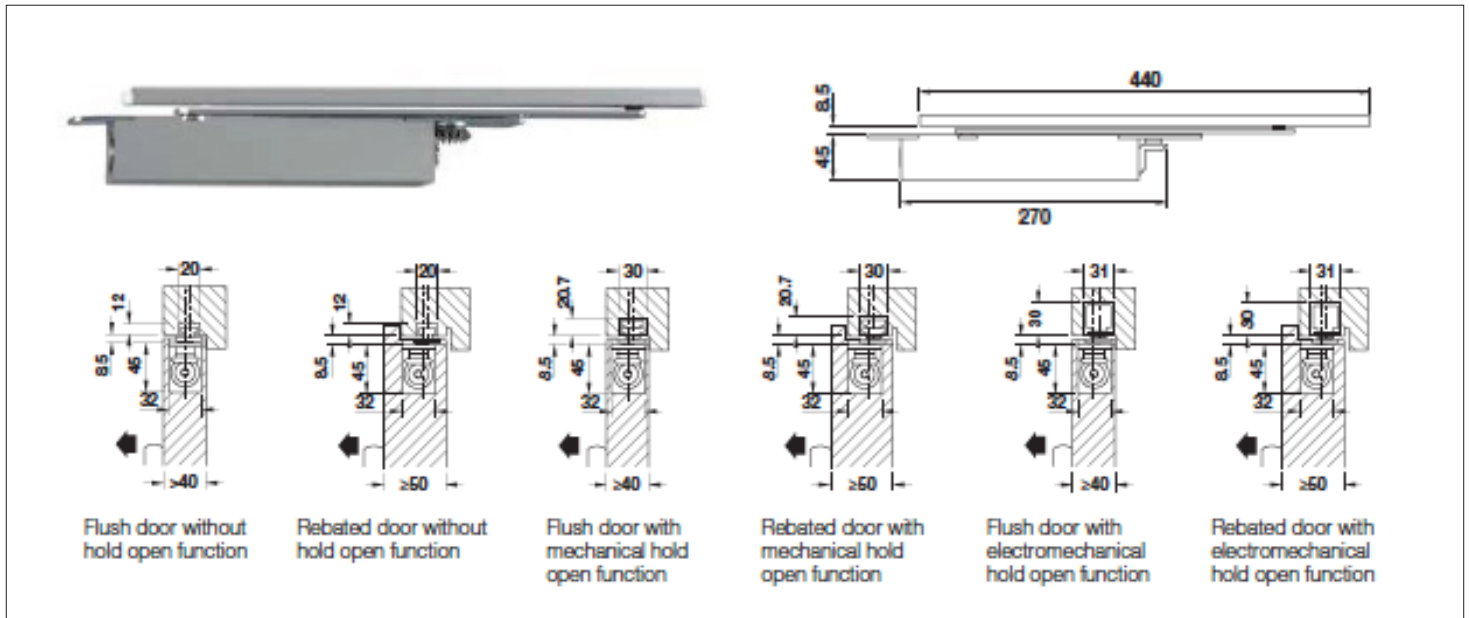


Concealed Fire door closers

Concealed Fire Door Closers

BOXER I

EN 2 - 4



+	Area of application:	Door closer and guide rail for concealed installation in door
+	Version:	With mechanical, electromechanical or without hold open function
+	Adjustment facility:	Closing force and closing speed continuously adjustable, latching action hydraulically adjustable, hydraulic backcheck adjustable
+	Closing force:	2 – 4 in compliance with EN 1154
+	Door thickness (mm):	>40 mm
+	Door width (mm):	<1,100 mm
+	Max. door weight (kg):	130 kg
+	Opening angle:	<120°
+	Hold open angle:	80 – 120°
+	Mounting:	For DIN left hand and DIN right hand use
+	Standard:	Certified in compliance with EN 1154:1996/A1:2002
+	Finish:	Silver coloured

Versions	Cat. No.
F Boxer I set with guide rail	931.14.689
Boxer I set with guide rail and hol open insert	931.15.009
F Boxer I set with guide rail and electromechanical hold open function	931.14.529

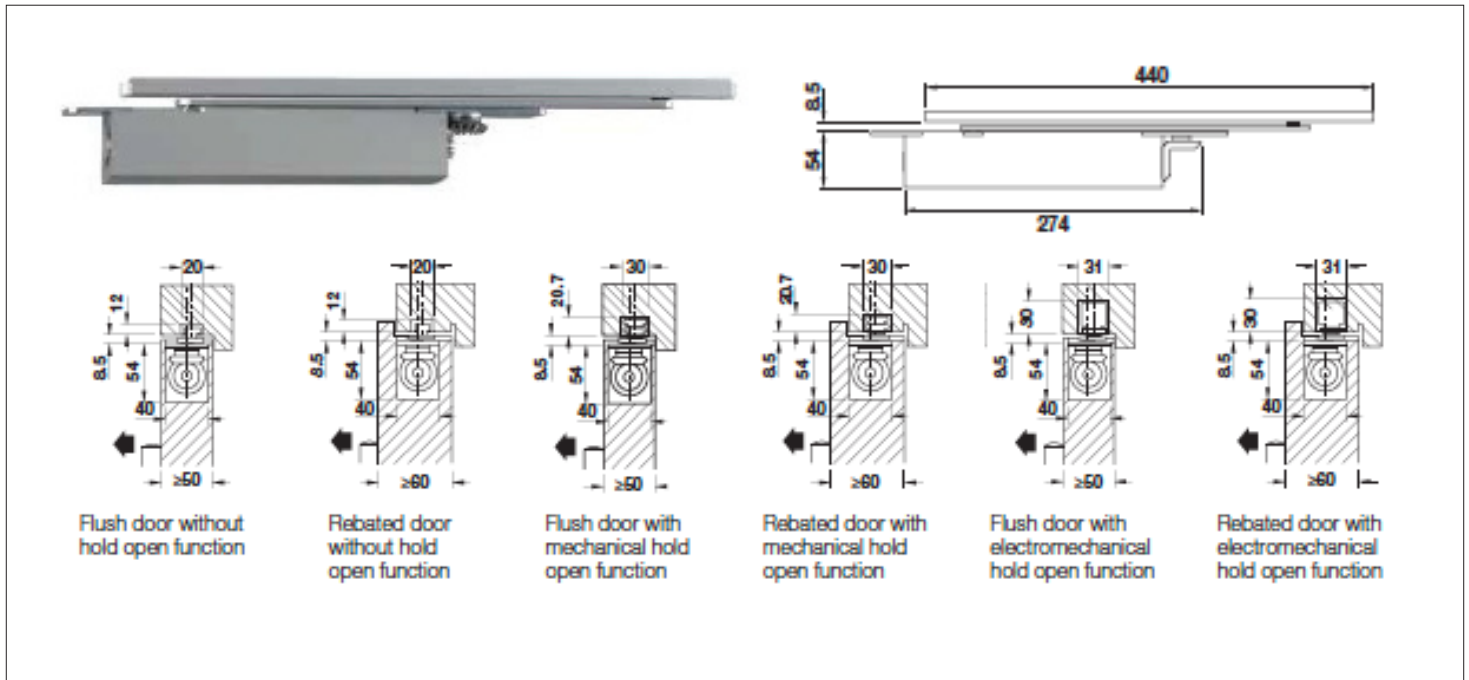
Packing: 1 piece

F **Fire resistance and smoke control**
Tested for fire resistance and smoke control doors. Further information available upon request.

Concealed Fire Door Closers

BOXER II

EN 3 - 6



+	Area of application:	Door closer and guide rail for concealed installation in door
+	Version:	With mechanical, electromechanical or without hold-open function
+	Adjustment facility:	Closing force and closing speed continuously adjustable, latching action hydraulically adjustable, hydraulic back check adjustable
+	Closing force:	3 – 6 in compliance with EN 1154
+	Door thickness (mm):	>50 mm
+	Door width (mm):	<1, 400 mm
+	Max. door weight (kg):	180
+	Opening angle:	<120°
+	Hold open angle:	80 – 120°
+	Mounting:	For DIN left hand and DIN right hand use
+	Standard:	Certified in compliance with EN 1154:1996/A1:2002
+	Finish:	Silver coloured

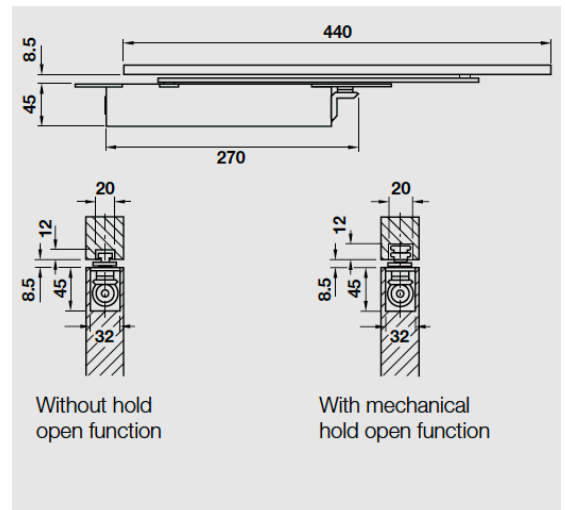
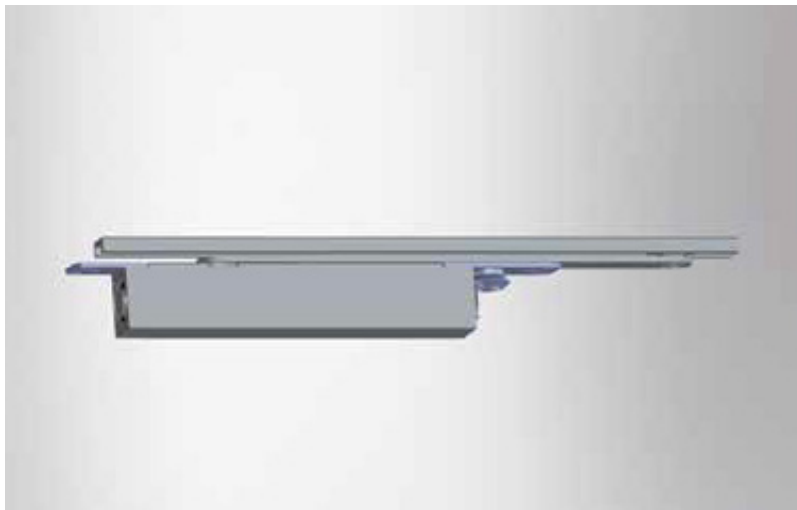
Versions	Cat. No.
Boxer II set with guide rail	931.14.699
Boxer II set with guide rail and hold-open insert	931.15.019
Boxer II set with guide rail and electromechanical hold-open function	931.14.559

Packing: 1 piece

Concealed Fire Door Closers

BOXER P

EN 2 - 4



+	Area of application:	For double action doors, door closer and guide rail for concealed installation in door
+	Version:	With mechanical, electromechanical or without hold-open function
+	Adjustment facility:	Closing force, latching action, hydraulic backcheck and closing speed continuously adjustable
+	Closing force:	2 – 4 in compliance with EN 1154
+	Door thickness (mm):	>40 mm
+	Door width (mm):	<1,100 mm
+	Max. door weight (kg):	130
+	Opening angle:	<170°
+	Hold open angle:	80 – 120°
+	Standard:	Certified in compliance with EN 1154:1996/A1:2002
+	Finish:	Silver coloured

Versions	Cat. No.
Boxer P set with guide rail	931.14.789
Boxer P set with guide rail and mechanical hold-open function	931.15.029

Packing: 1 piece



Contact Us:

1300 12 OPEN

info@oasa.com.au

www.oasa.com.au