



OPEN AUTOMATIONS SOLUTIONS

**MANUAL DOOR
CLOSERS**

Official
Partner



Contents

Introduction

- 03 Introduction to automatic sliding doors
- 04 General door function diagram



OPEN AUTOMATIONS

05 Overhead Door Closers

- 06 TS 1500 BC
- 07 TS 1500 BCG
- 08 TS 2000 NVBC
- 09 TS 2000 NVBCG
- 10 TS 3000 VBC
- 11 TS 4000
- 12 TS 4000 G
- 13 TS 4000 E
- 14 TS 5000
- 15 TS 5000 L
- 16 TS 5000 E
- 17 TS 5000 L-E
- 18 TS 5000 R
- 19 TS 5000 L-R
- 20 TS 5000 ISM
- 21 TS 5000 L-ISM
- 22 TS 5000 E-ISM
- 23 TS 5000 L-E-ISM
- 24 TS 5000 R-ISM
- 25 TS 5000 L-R-ISM
- 26 TS 5000 EFS
- 27 TS 5000 RFS
- 28 TS 5000 S

29 Concealed Door Closers

- 30 Boxer I
- 31 Boxer II
- 32 Boxer P



Introduction to Manual door closers

The functionality of a door closer should never be underestimated. From safety to energy efficiency, climate control, security and safety - determining how and when your doors open and close is key to building performance. Our range of manual door closers provide the ultimate in intelligent functionality. With durable hardware and world-leading technology these solutions provide long life-spans and optimum reliability.




Function

General door function

Key

A = Electromechanical hold open
B = Electrohydraulic hold open
C = With hold-open insert
D = Central smoke alarm system
E = Suitable for fire resistant doors

F = Integrated door coordinator
G = With free-swing function
H = For double doors
I = Delayed action
● = Yes

Type	Page	Closing force						Version								
		1	2	3	4	5	6	A	B	C	D	E	F	G	H	I
Overhead door closers with arm																
	TS 1500 BC	06			●	●					●	●				
	TS 2000 NVBC	08		●	●	●					●	●				
	TS 4000	11	●	●	●	●	●	●			●	●				
	TS 4000 E	13	●	●	●	●	●	●		●		●				●
Overhead door closers with guide rail																
	TS 1500 BCG	07	●								●	●				
	TS 2000 NVBCG	09	●	●	●						●	●				
	TS 3000 VBC	10	●	●	●	●					●	●				
	TS 4000 G	12	●	●	●	●	●				●	●				
	TS 5000	14		●	●	●	●	●	●		●	●				
	TS 5000 L	15		●	●	●	●	●	●		●	●				
	TS 5000 E	16		●	●	●	●	●	●	●		●				
	TS 5000 L-E	17		●	●	●	●	●	●	●		●				
	TS 5000 R	18		●	●	●	●	●	●	●		●	●			
	TS 5000 L-R	19		●	●	●	●	●	●	●		●	●			
	TS 5000 ISM	20		●	●	●	●	●	●			●	●		●	
	TS 5000 L-ISM	21		●	●	●	●	●	●			●	●		●	
	TS 5000 E-ISM	22		●	●	●	●	●	●	●		●	●		●	
	TS 5000 L-E-ISM	23		●	●	●	●	●	●	●		●	●		●	
	TS 5000 R-ISM	24		●	●	●	●	●	●	●		●	●	●	●	
	TS 5000 L-R-ISM	25		●	●	●	●	●	●	●		●	●	●	●	
	TS 5000 EFS	26		●	●	●	●	●	●		●		●		●	
TS 5000 RFS	27		●	●	●	●	●	●		●	●	●		●		
TS 5000 S	28		●	●	●	●	●	●			●	●			●	
Concealed door closers																
	Boxer I	30		●	●	●				●	●					
	Boxer II	31			●	●	●	●		●	●					
	Boxer P	32		●	●	●					●					

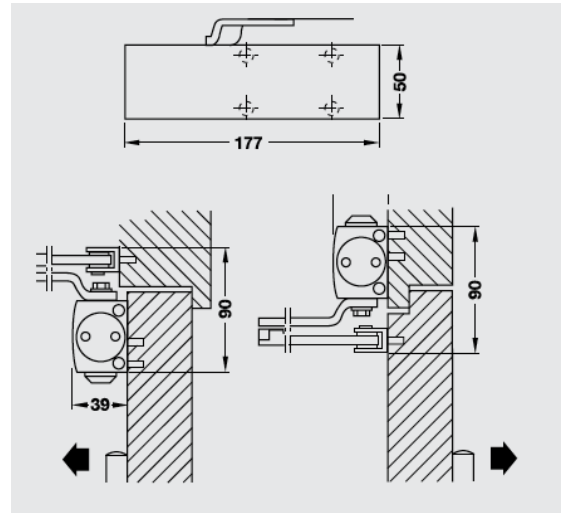
Overhead door closers



Overhead door closers

TS 1500 BC

EN 3, 4



+ Versions:	Supplied with back check function
+ Adjustment facility:	Closing force, closing speed and latching action adjustable
+ Installation:	Suitable for standard installation on pull side or overhead installation on push side
+ Closing force:	3 or 4 in compliance with EN 1154
+ Door width:	<1,100 mm
+ Hold open angle:	70 – 150°
+ Mounting:	For DIN left hand and DIN right hand use
+ Standard:	Certified in compliance with EN 1154:1996/A1:2002
+ Finish:	Silver coloured

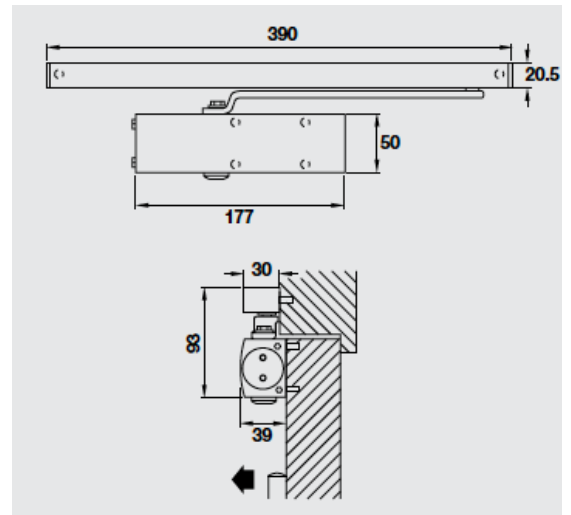
	Versions	Cat. No.
F	TS 1500 BC with standard arm	931.17.149
	TS 1500 BC with hold-open arm	931.17.159
	Parallel arm bracket to suit TS 1500	931.16.329

F **Fire resistance and smoke control**
Tested for fire resistance and smoke control doors. Further information available upon request.

Overhead door closers

TS 1500 BCG

EN 1



+ Features:	DDA compliant
+ Version:	Supplied with back check function
+ Adjustment facility:	Closing speed and latching action adjustable
+ Installation:	Suitable for standard installation on pull side
+ Closing force:	1 in compliance with EN 1154
+ Door width:	<750 mm
+ Hold open angle:	80 – 130°
+ Mounting:	For DIN left hand and DIN right hand use
+ Standard:	Certified in compliance with EN 1154:1996/A1:2002
+ Finish:	Silver coloured

Versions	Cat. No.
F TS 1500 BCG with guide rail	931.17.169
TS 1500 BCG with guide rail and hold-open insert	931.17.179

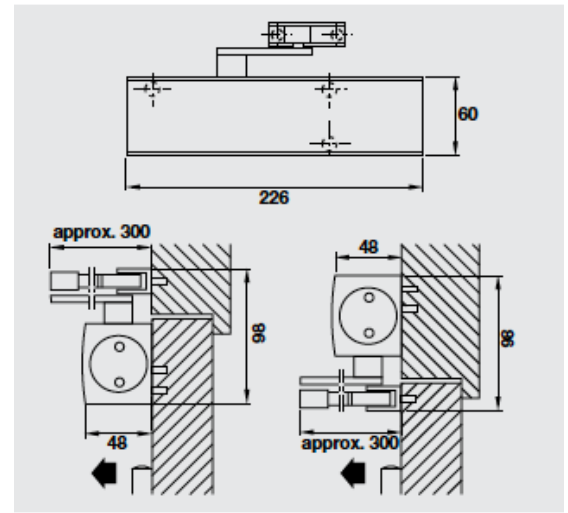
Packing: 1 piece

F **Fire resistance and smoke control**
Tested for fire resistance and smoke control doors. Further information available upon request.

Overhead door closers

TS 2000 NVBC

EN 2, 3, 4



+	Version:	Supplied with back check function
+	Adjustment facility:	Closing force adjustment of the sizes 2, 3 and 4 from the side, closing speed adjustable from the front, latching action adjustment from the front
+	Installation:	Suitable for standard installation on pull side or overhead installation on push side
+	Closing force:	2, 3, 4 in compliance with EN 1154
+	Door width:	<1,100 mm
+	Hold open angle:	70 – 150°
+	Mounting:	For DIN left hand and DIN right hand use
+	Standard:	Certified in compliance with EN 1154:1997
+	Finish:	Silver coloured

	Versions	Cat. No.
F	TS 2000 NVBC with standard arm	931.16.269
	TS 2000 NVBC with hold-open arm	931.16.279
	Parallel arm bracket to suit TS 2000	931.16.329

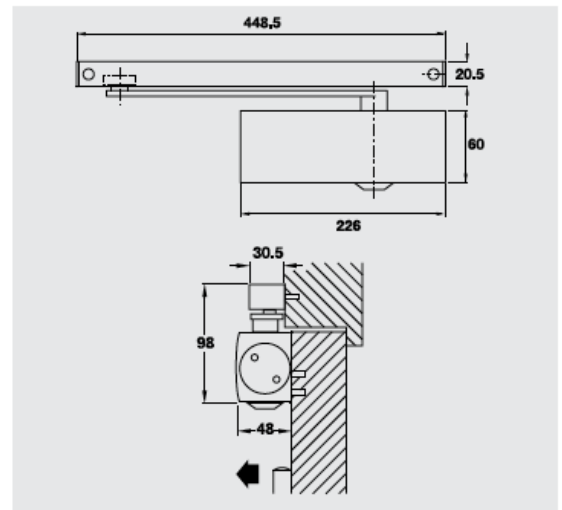
Packing: 1 piece

F **Fire resistance and smoke control**
Tested for fire resistance and smoke control doors. Further information available upon request.

Overhead door closers

TS 2000 NVBCG

EN 1, 2, 3



+	Features:	DDA compliant
+	Version:	Supplied with back check function
+	Adjustment facility:	Variable closing force (size EN2 and EN3) Closing speed valve adjustable, latching action valve adjustable. Optional with hold-open device (not fire rated)
+	Installation:	Suitable DIN right hand and DIN left hand
+	Closing force:	1 - 3 In compliance with EN 1154
+	Door width (mm):	750 - 950mm
+	Max. door opening angle:	Approx. 130°
+	Hold open angle:	80 - 130°
+	Standard:	Certified in compliance with EN 1154:1997
+	Finish:	Silver coloured

	Versions	Cat. No.
F	TS 2000 NVBCG with guide rail	931.16.289
	TS 2000 NVBCG with hold-open guide rail	931.16.299

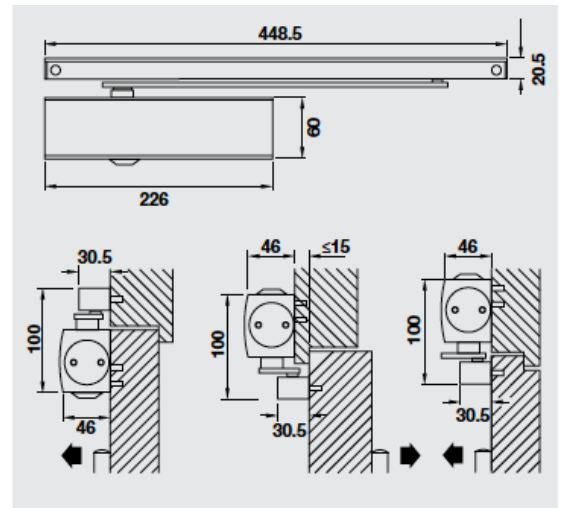
Packing: 1 piece

F **Fire resistance and smoke control**
Tested for fire resistance and smoke control doors. Further information available upon request.

Overhead door closers

TS 3000 VBC

EN 1 - 4



+	Version:	Supplied with back check function
+	Adjustment facility:	Latching action and closing speed adjustable from the front, closing force adjustable from the side
+	Installation:	Standard installation (door leaf installation) on pull side, overhead installation (transom fixing) on pull side
+	Closing force:	1 – 4 in compliance with EN 1154
+	Door width:	<1,100 mm
+	Hold open angle:	80 – 130°
+	Mounting:	For DIN left hand and DIN right hand use
+	Standard:	Certified in compliance with EN 1154:1996/A1:2002
+	Finish:	Silver coloured

	Versions	Cat. No.
F	TS 3000 VBC with guide rail	931.10.699
	TS 3000 VBC with guide rail and hold-open insert	931.10.709
	TS 3000 VBC set with T-Stop guide rail	931.10.899

Packing: 1 piece

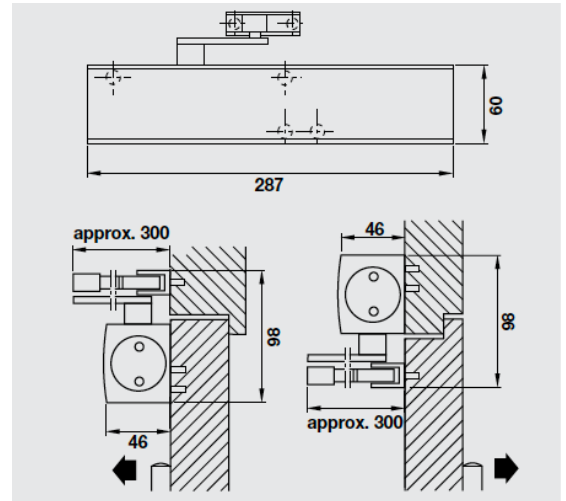
Note: TS 3000 VBC is designed for pull side operation only.

F **Fire resistance and smoke control**
Tested for fire resistance and smoke control doors. Further information available upon request.

Overhead door closers

TS 4000

EN 1 - 6



+	Adjustment facility:	Closing force, closing speed and back check adjustable, latching action adjustment with arm
+	Installation:	Suitable for standard installation on pull side and overhead installation on push side
+	Closing force:	1 – 6 in compliance with EN 1154
+	Door width:	<1,400 mm
+	Hold open angle:	Up to approx. 150°
+	Mounting:	For DIN left hand and DIN right hand use
+	Standard:	Certified in compliance with EN 1154:1996/A1:2002
+	Finish:	Silver coloured

Versions	Cat. No.
F TS 4000 set with standard arm	931.16.579
TS 4000 set with hold-open arm	931.16.589
Parallel arm bracket to suit TS 4000	931.16.329

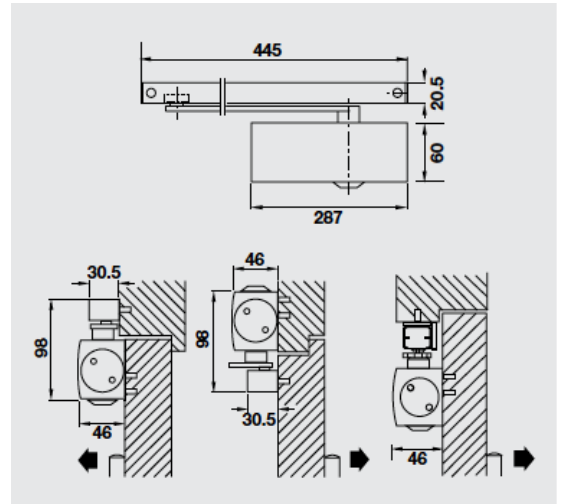
Packing: 1 piece

F **Fire resistance and smoke control**
Tested for fire resistance and smoke control doors. Further information available upon request.

Overhead door closers

TS 4000 G

EN 1 - 5



+	Features:	DDA compliant
+	Adjustment facility:	Closing force valve adjustable. Closing speed valve adjustable. Available with adjustable back check
+	Closing force:	1 - 5 In compliance with EN 1154
+	Door width (mm):	650 - 1250mm
+	Max. door opening angle:	Approx. 130°
+	Mounting:	Suitable for DIN right hand and DIN left hand
+	Standard:	Certified in compliance with EN 1145
+	Finish:	Silver coloured

Versions	Cat. No.
F TS 4000 G set with guide rail	931.17.189
TS 4000 G with hold-open guide rail	931.17.199

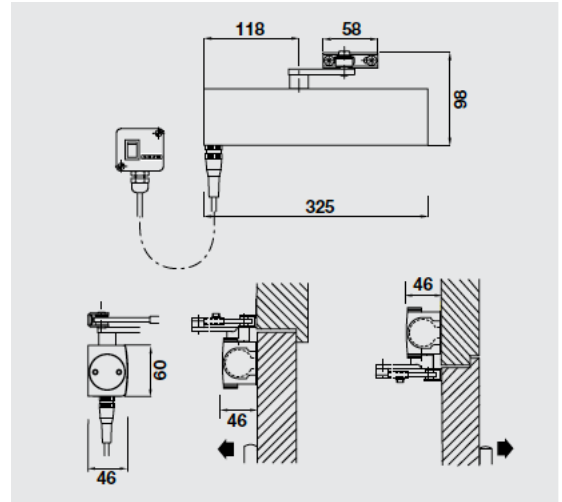
Packing: 1 piece

Note: TS 4000 G is designed for pull side operation only.

F **Fire resistance and smoke control**
Tested for fire resistance and smoke control doors. Further information available upon request.

Overhead door closers

TS 4000 E



+ Version:	When voltage is applied to closer, the door is held open. When voltage is not present, the door will close automatically. The door can be closed manually at any time regardless of whether the voltage is applied or not
+ Adjustment facility:	Closing speed and closing force is valve adjustable from the front. Optical indicator for closing force. Latching action adjustable via arm position
+ Mounting:	Suitable for DIN right hand and DIN left hand
+ Operating voltage:	24V DC \pm 10%
+ Enclosure rating:	IP43
+ Closing Force:	1 - 6 in compliance with EN 1154
+ Hold open angle:	80 - 175°
+ Standard:	Certified in compliance with EN 1154 and EN1155
+ Door width:	<1400mm
+ Finish:	Silver coloured

Versions	Cat. No.
F TS 4000 E set with standard arm	931.16.559

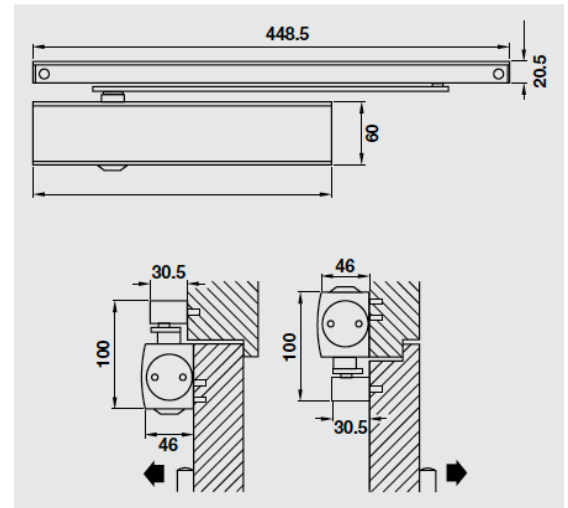
Packing: 1 piece

F **Fire resistance and smoke control**
Tested for fire resistance and smoke control doors. Further information available upon request.

Overhead door closers

TS 5000

EN 2 - 6



+ Adjustment facility:	Closing force, closing speed, back check and latching action adjustable from the front
+ Installation:	Suitable for standard installation on pull side and overhead installation on push side
+ Closing force:	2 – 6 in compliance with EN 1154
+ Door width:	<1,400 mm
+ Opening angle:	<180°
+ Hold open angle:	80 – 130°
+ Mounting:	For DIN left hand and DIN right hand use
+ Standard:	Certified in compliance with EN 1154:1996/A1:2002
+ Finish:	Silver coloured

Versions	Cat. No.
F TS 5000 set with guide rail	931.10.609
TS 5000 set with guide rail and hold-open insert	931.10.619
TS 5000 set set with T-Stop guide rail	931.11.249

Packing: 1 piece

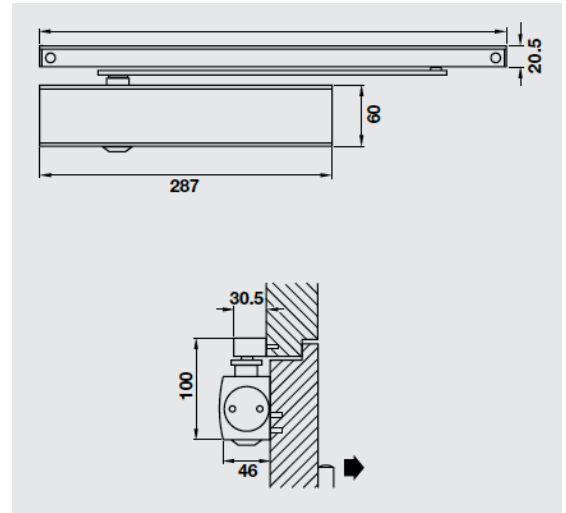
Note: T-stop guide rail should be used for all external installations

F **Fire resistance and smoke control**
Tested for fire resistance and smoke control doors. Further information available upon request.

Overhead door closers

TS 5000 L

EN 2 - 6



+ Adjustment facility:	Closing force, closing speed, back check and latching action adjustable from the front
+ Installation:	Suitable for standard installation on push side
+ Closing force:	2 – 6 in compliance with EN 1154
+ Door width:	<1,400 mm
+ Opening angle:	<110°
+ Hold open angle:	80 – 110°
+ Mounting:	For DIN left hand and DIN right hand use
+ Standard:	Certified in compliance with EN 1154:1996/A1:2002
+ Finish:	Silver coloured

Versions	Cat. No.
F TS 5000 L set with guide rail	931.10.629
TS 5000 L set with guide rail and hold-open insert	931.10.639
TS 5000 L set with T-Stop guide rail	931.11.259

Packing: 1 piece

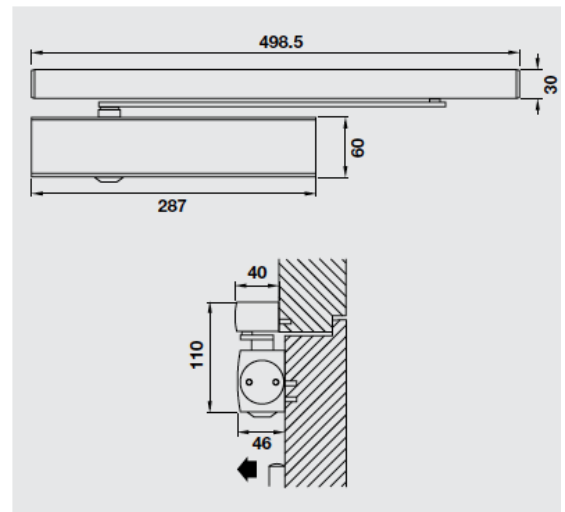
Note: T-stop guide rail should be used for all external installations

F **Fire resistance and smoke control**
Tested for fire resistance and smoke control doors. Further information available upon request.

Overhead door closers

TS 5000 E

EN 2 - 6



+ Version:	Supplied with electromechanical hold open function
+ Adjustment facility:	Closing force, closing speed, back check and latching action adjustable from the front
+ Installation:	Suitable for standard installation on pull side
+ Closing force:	2 – 6 in compliance with EN 1154
+ Door width:	<1,400 mm
+ Nominal voltage:	24 V DC $\pm 10\%$
+ Connecting load:	<100 mA
+ Degree of protection:	IP 43 (for indoor use only)
+ Rated for continuous duty:	100%
+ Opening angle:	<180°
+ Hold open angle:	80 – 130°
+ Mounting:	For DIN left hand and DIN right hand use
+ Standard:	Certified in compliance with EN 1154:1996/A1:2002 and EN 1155
+ Finish:	Silver coloured

Versions	Cat. No.
F TS 5000 E set with E guide rail	931.10.769

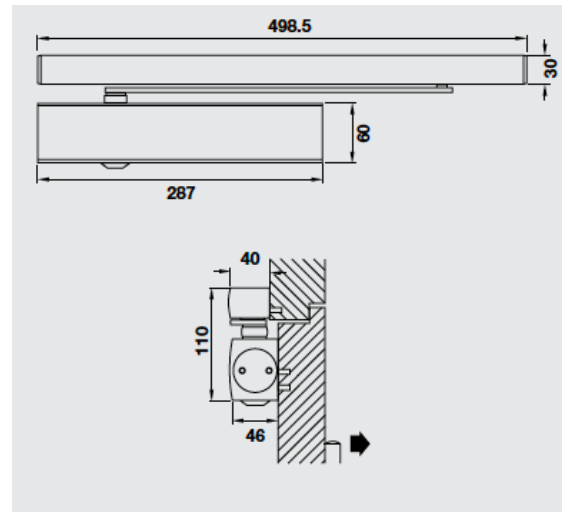
Packing: 1 piece

F **Fire resistance and smoke control**
Tested for fire resistance and smoke control doors. Further information available upon request.

Overhead door closers

TS 5000 L-E

EN 2 - 6



+ Version:	Supplied with electromechanical hold open function
+ Adjustment facility:	Closing force, closing speed, back check and latching action adjustable from the front
+ Installation:	Suitable for standard installation on push side
+ Closing force:	2 – 6 in compliance with EN 1154
+ Door width:	<1,400 mm
+ Nominal voltage:	24 V DC
+ Connecting load:	<100 mA
+ Degree of protection:	IP 43 (for indoor use only)
+ Rated for continuous duty:	100%
+ Opening angle:	<110°
+ Hold open angle:	80 – 130°
+ Mounting:	For DIN left hand and DIN right hand use
+ Standard:	Certified in compliance with EN 1154:1996/A1:2002 and EN 1155
+ Finish:	Silver coloured

Versions	Cat. No.
F TS 5000 L-E set with E guide rail	931.10.669

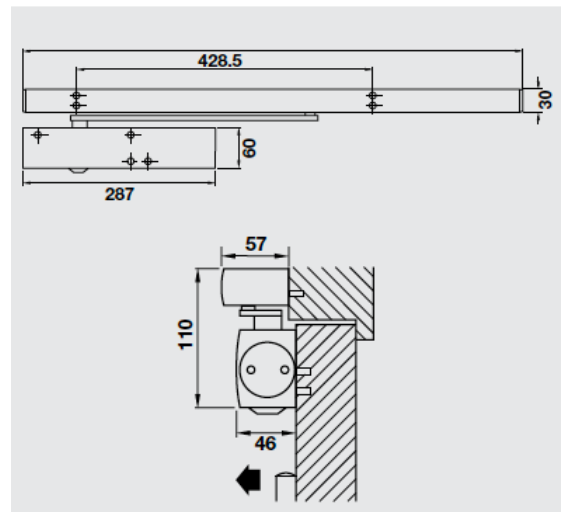
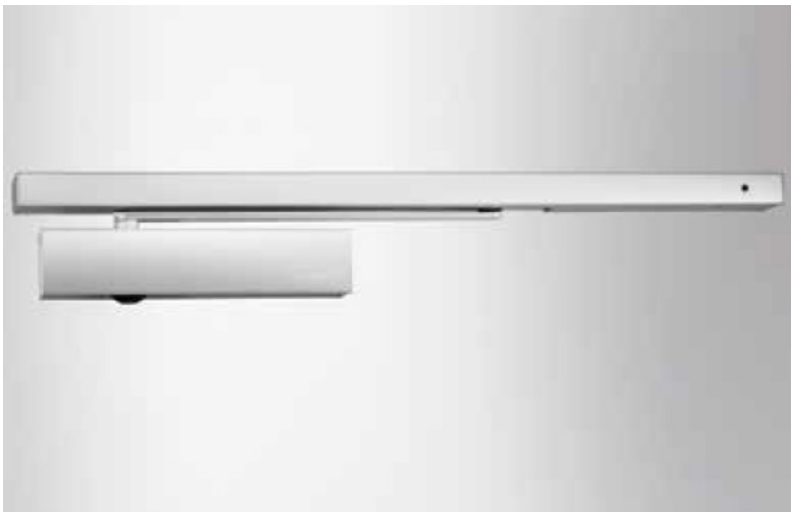
Packing: 1 piece

F **Fire resistance and smoke control**
Tested for fire resistance and smoke control doors. Further information available upon request.

Overhead door closers

TS 5000 R

EN 2 - 6



+ Version:	Supplied with electromechanical hold open function, integrated central smoke switch unit, additional smoke alarms can be connected
+ Adjustment facility:	Closing force, closing speed, back check and latching action adjustable from the front
+ Installation:	Suitable for standard installation on pull side
+ Closing force:	2 – 6 in compliance with EN 1154
+ Door width:	<1,400 mm
+ Nominal voltage:	230 V AC
+ Connecting load:	<200 mA
+ Degree of protection:	IP 20
+ Opening angle:	<110°
+ Hold open angle:	80 – 130°
+ Operating temperature range:	0 – +50 °C
+ Mounting:	For DIN left hand and DIN right hand use
+ Standard:	Certified in compliance with EN 1154:1996/A1:2002 and EN 1155
+ Finish:	Silver coloured

Versions	Cat. No.
F TS 5000 R set with R guide rail	931.10.789

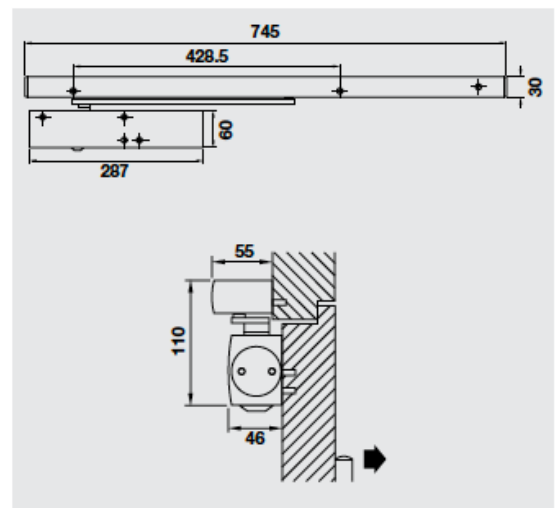
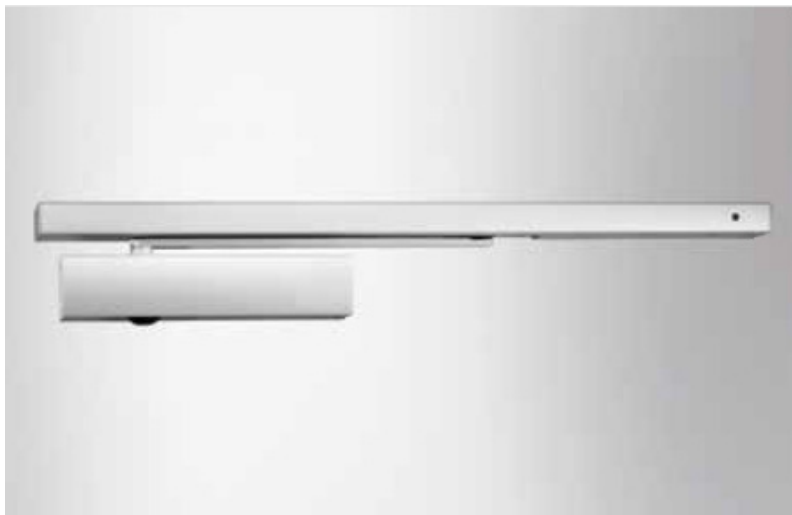
Packing: 1 piece

F **Fire resistance and smoke control**
Tested for fire resistance and smoke control doors. Further information available upon request.

Overhead door closers

TS 5000 L-R

EN 2 - 6



+ Version:	Supplied with electromechanical hold open function, integrated central smoke switch unit, additional smoke alarms can be connected
+ Adjustment facility:	Closing force, closing speed, back check and latching action adjustable from the front
+ Installation:	Suitable for standard installation on push side
+ Closing force:	2 – 6 in compliance with EN 1154
+ Door width:	<1,400 mm
+ Nominal voltage:	230 V AC
+ Connecting load:	<230 mA
+ Degree of protection:	IP 20
+ Opening angle:	<110°
+ Hold open angle:	80 – 130°
+ Operating temperature range:	-5 – +50 °C
+ Mounting:	For DIN left hand and DIN right hand use
+ Standard:	Certified in compliance with EN 1154:1996/A1:2002 and EN 1155
+ Finish:	Silver coloured

Versions	Cat. No.
F TS 5000 L-R set with R guide rail	931.10.679

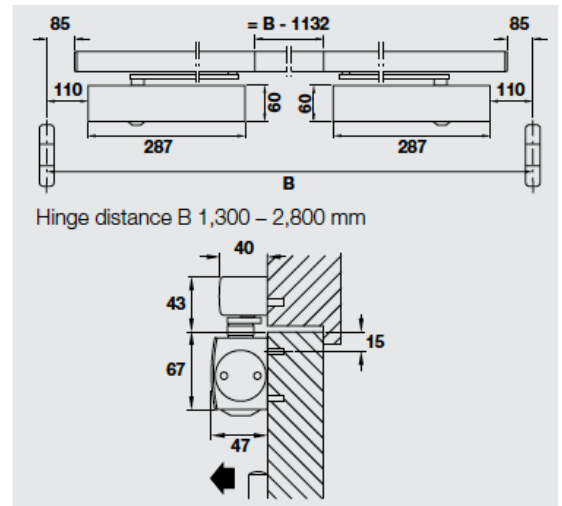
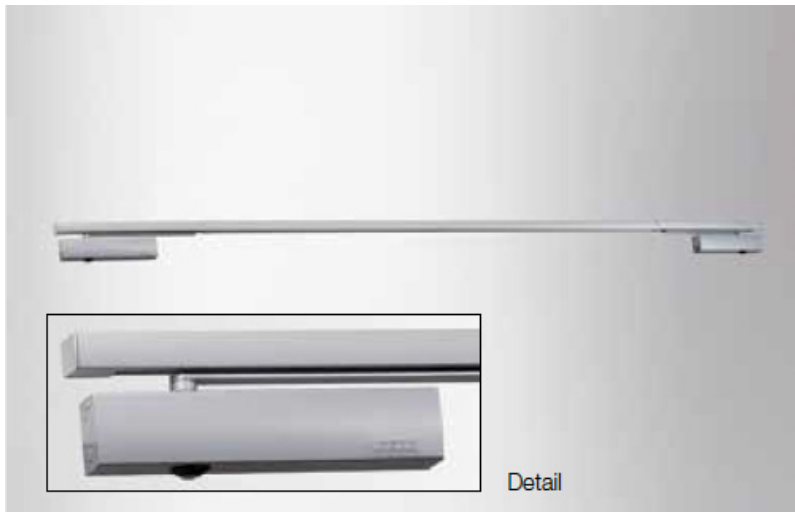
Packing: 1 piece

F **Fire resistance and smoke control**
Tested for fire resistance and smoke control doors. Further information available upon request.

Overhead door closers

TS 5000 ISM

EN 2 - 6



+ Area of application:	For double doors
+ Version:	Supplied with 2 closers and door coordinator (integrated in ISM guide rail)
+ Adjustment facility:	Closing force, closing speed, back check and latching action adjustable from the front
+ Installation:	Suitable for standard installation on pull side
+ Closing force:	2 – 6 in compliance with EN 1154
+ For door width:	B = 1,300 – 2,800 mm
+ Opening angle:	<180°
+ Standard:	Certified in compliance with EN 1154:1996/A1:2002 and EN 1158
+ Finish:	Silver coloured

Versions	Cat. No.
F TS 5000 ISM set with ISM guide rail	931.11.759

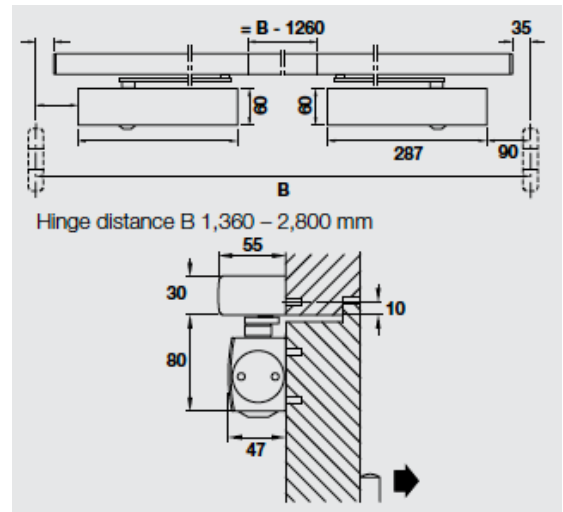
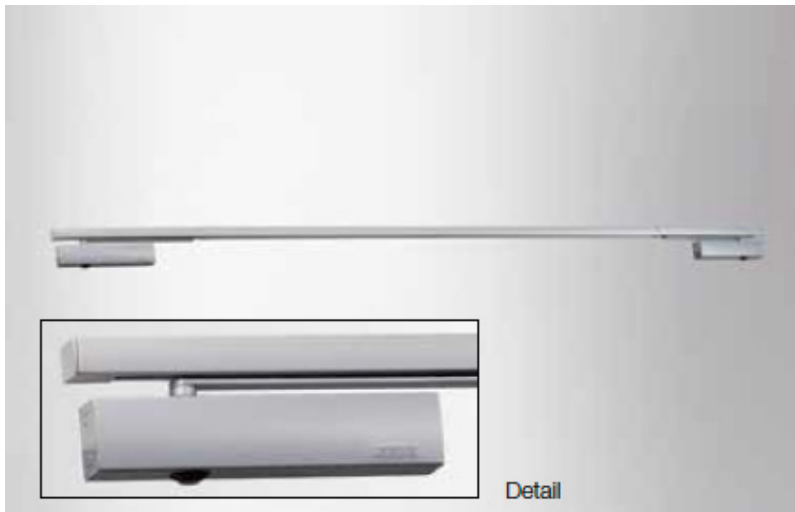
Packing: 1 piece

F **Fire resistance and smoke control**
Tested for fire resistance and smoke control doors. Further information available upon request.

Overhead door closers

TS 5000 L-ISM

EN 2 - 6



+	Area of application:	For double doors
+	Version:	Supplied with 2 closers and door coordinator (integrated in ISM guide rail)
+	Adjustment facility:	Closing force, closing speed, back check and latching action adjustable from the front
+	Installation:	Suitable for standard installation on push side
+	Closing force:	2 – 6 in compliance with EN 1154
+	For door width:	B = 1,300 – 2,800 mm
+	Opening angle:	<120°
+	Standard:	Certified in compliance with EN 1154:1996/A1:2002 and EN 1158
+	Finish:	Silver coloured

Versions	Cat. No.
F TS 5000 L-ISM set with ISM guide rail	931.11.369

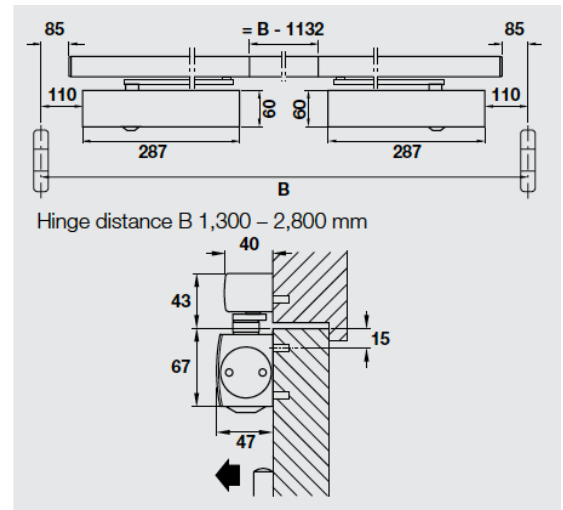
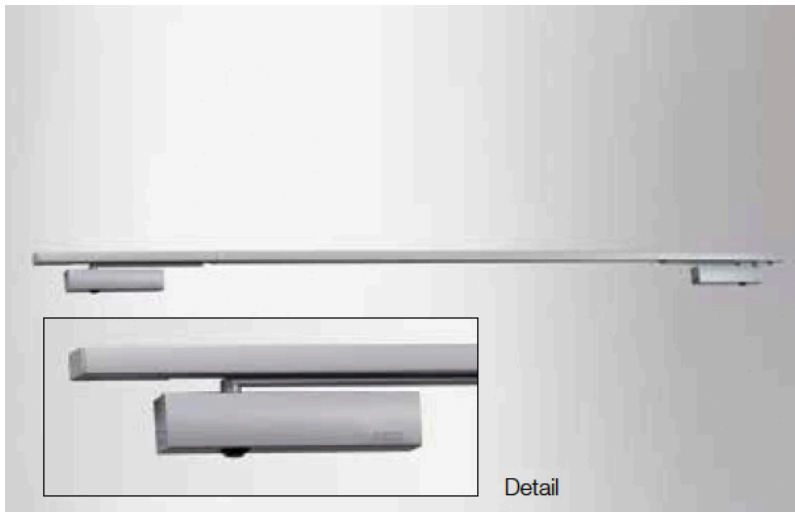
Packing: 1 piece

F **Fire resistance and smoke control**
Tested for fire resistance and smoke control doors. Further information available upon request.

Overhead door closers

TS 5000 E-ISM

EN 2 - 6



+ Area of application:	For double doors
+ Version:	Supplied with 2 closers and door coordinator (integrated in E-ISM guide rail) with electromechanical hold open function
+ Adjustment facility:	Closing force, closing speed, back check and latching action adjustable from the front
+ Installation:	Suitable for standard installation on pull side
+ Closing force:	2 – 6 in compliance with EN 1154
+ For door width:	B = 1,300 – 2,800 mm
+ Nominal voltage:	24 V DC $\pm 15\%$
+ Connecting load:	2 x 100 mA
+ Degree of protection:	IP 43 (for indoor use only)
+ Rated for continuous duty:	100%
+ Opening angle:	<180°
+ Hold open angle:	80 – 130°
+ Standard:	Certified in compliance with EN 1154:1996/A1:2002 and EN 1158
+ Finish:	Silver coloured

Versions	Cat. No.
F TS 5000 E-ISM with E-ISM guide rail	931.11.769

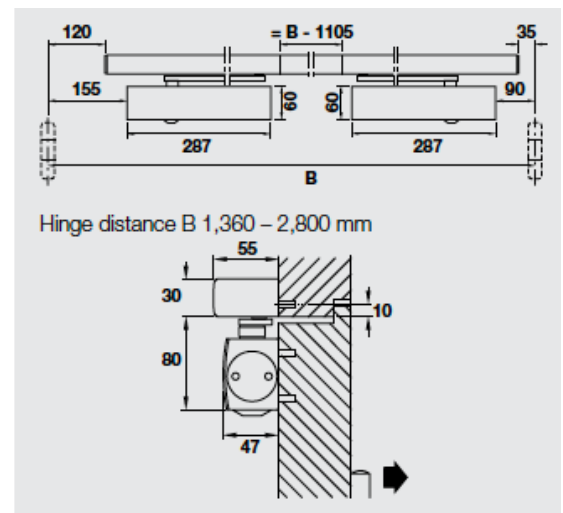
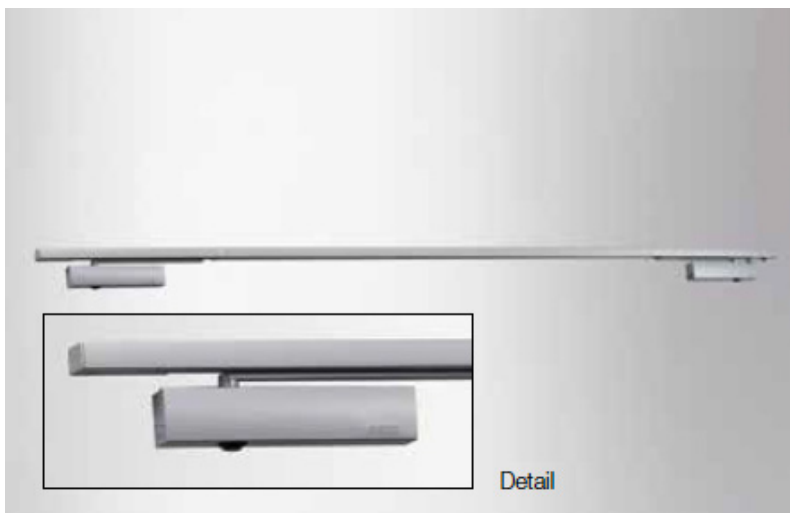
Packing: 1 piece

F **Fire resistance and smoke control**
Tested for fire resistance and smoke control doors. Further information available upon request.

Overhead door closers

TS 5000 L-E-ISM

EN 2 - 6



+ Area of application:	For double doors
+ Version:	Supplied with 2 closers and door coordinator (integrated in E-ISM guide rail) with electromechanical hold open function
+ Adjustment facility:	Closing force, closing speed, back check and latching action adjustable from the front
+ Installation:	Suitable for standard installation on push side
+ Closing force:	2 – 6 in compliance with EN 1154
+ For door width:	B = 1,360 – 2,800 mm
+ Nominal voltage:	24 V DC ±15%
+ Connecting load:	2 × 100 mA
+ Degree of protection:	IP 43 (for indoor use only)
+ Rated for continuous duty:	100%
+ Opening angle:	<110°
+ Hold open angle:	80 – 130°
+ Standard:	Certified in compliance with EN 1154:1996/A1:2002 and EN 1158
+ Finish:	Silver coloured

Versions	Cat. No.
F TS 5000 L-E-ISM with E-ISM guide rail	931.11.329

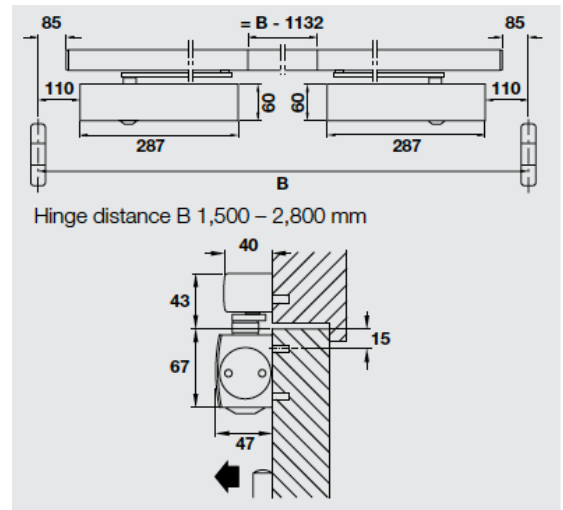
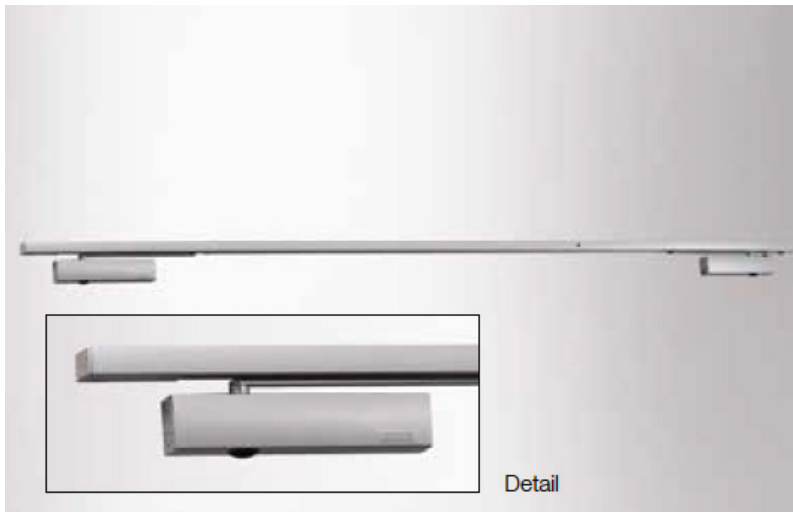
Packing: 1 piece

F **Fire resistance and smoke control**
Tested for fire resistance and smoke control doors. Further information available upon request.

Overhead door closers

TS 5000 R-ISM

EN 2 - 6



+	Area of application:	For double doors
+	Version:	Supplied with 2 closers and door coordinator (integrated in R-ISM guide rail) with electromechanical hold open function and integrated central smoke switch unit. Additional smoke alarms can be connected
+	Adjustment facility:	Closing force, closing speed, back check and latching action adjustable from the front
+	Installation:	Suitable for standard installation on the pull side
+	Closing force:	2 – 6 in compliance with EN 1154
+	For door width:	B = 1,500 – 2,800 mm
+	Nominal voltage:	230 V AC
+	Connecting load:	< 200 mA
+	Degree of protection:	IP 20
+	Operating temperature range:	0 – + 50 °C
+	Opening angle:	<180°
+	Hold open angle:	80 – 130°
+	Standard:	Certified in compliance with EN 1154:1996/A1:2002 and EN 1158
+	Finish:	Silver coloured

Versions	Cat. No.
F TS 5000 R-ISM with R-ISM guide rail	931.11.799

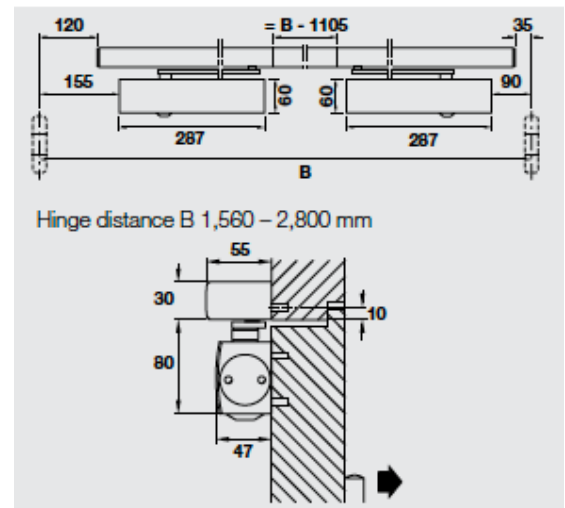
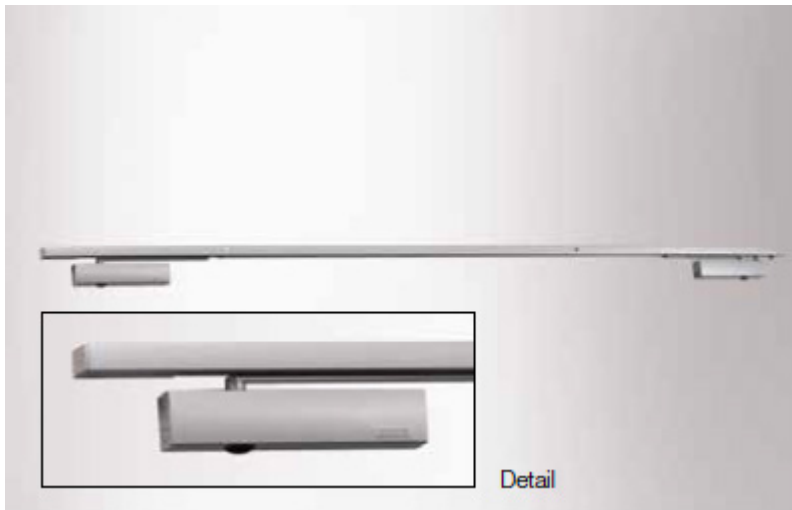
Packing: 1 piece

F **Fire resistance and smoke control**
Tested for fire resistance and smoke control doors. Further information available upon request.

Overhead door closers

TS 5000 L-R-ISM

EN 2 - 6



+ Area of application:	For double doors
+ Version:	Supplied with 2 closers and door coordinator (integrated in R-ISM guide rail) with electromechanical hold open function and integrated central smoke switch unit, additional smoke alarms can be connected
+ Adjustment facility:	Closing force, closing speed, back check and latching action adjustable from the front
+ Installation:	Suitable for standard installation on push side
+ Closing force:	2 – 6 in compliance with EN 1154
+ For door width:	B = 1,560 – 2,800 mm
+ Nominal voltage:	230 V AC
+ Connecting load:	< 200 mA
+ Degree of protection:	IP 20
+ Operating temperature range:	0 – + 50 °C
+ Opening angle:	<110°
+ Hold open angle:	80 – 130°
+ Standard:	Certified in compliance with EN 1154:1996/A1:2002 and EN 1158
+ Finish:	Silver coloured

Versions	Cat. No.
F TS 5000 L-R-ISM set with R-ISM guide rail	931.11.349

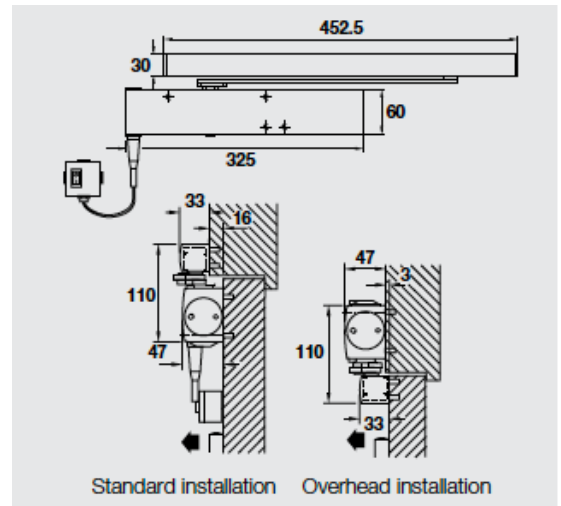
Packing: 1 piece

F **Fire resistance and smoke control**
Tested for fire resistance and smoke control doors. Further information available upon request.

Overhead door closers

TS 5000 EFS

EN 2 - 5



+ Version:	Supplied with free-swing function
+ Adjustment facility:	Closing force, closing speed and latching action adjustable from the front
+ Installation:	Suitable for standard or overhead installation on pull side
+ Closing force:	2 – 5 in compliance with EN 1154
+ Door width:	<1,250 mm
+ Nominal voltage:	24 V DC
+ Opening angle:	<180°
+ Mounting:	For DIN left hand and DIN right hand use
+ Standard:	Certified in compliance with EN 1154:1996/A1:2002 and EN 11555
+ Finish:	Silver coloured

Versions	Cat. No.
F TS 5000 EFS set with guide rail for standard installation	931.10.069
TS 5000 EFS set with guide rail for overhead installation	931.10.079

Packing: 1 piece



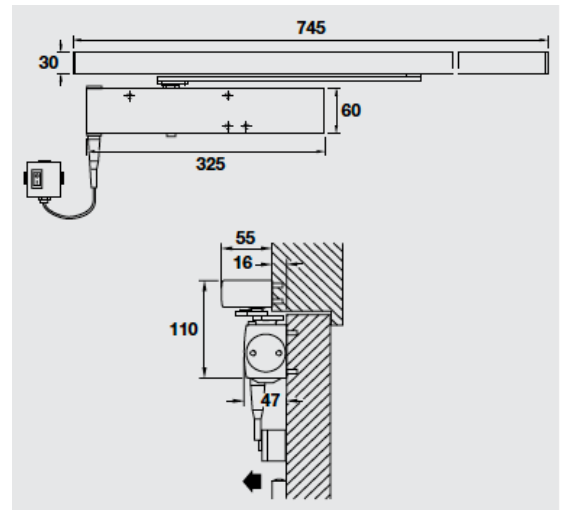
Fire resistance and smoke control

Tested for fire resistance and smoke control doors. Further information available upon request.

Overhead door closers

TS 5000 RFS

EN 2 - 5



+ Version:	Supplied with integrated smoke detector with power supply unit, with free-swing function
+ Adjustment facility:	Closing force, closing speed and latching action adjustable from the front
+ Installation:	Suitable for standard or overhead installation on pull side
+ Closing force:	2 – 5 in compliance with EN 1154
+ Door width:	<1,250 mm
+ Nominal voltage:	230V AC
+ Opening angle:	<180°
+ Mounting:	For DIN left hand and DIN right hand use
+ Standard:	Certified in compliance with EN 1154:1996/A1:2002 and EN 1155
+ Finish:	Silver coloured

Versions	Cat. No.
F TS 5000 RFS set with guide rail for standard installation	931.10.059

Packing: 1 piece



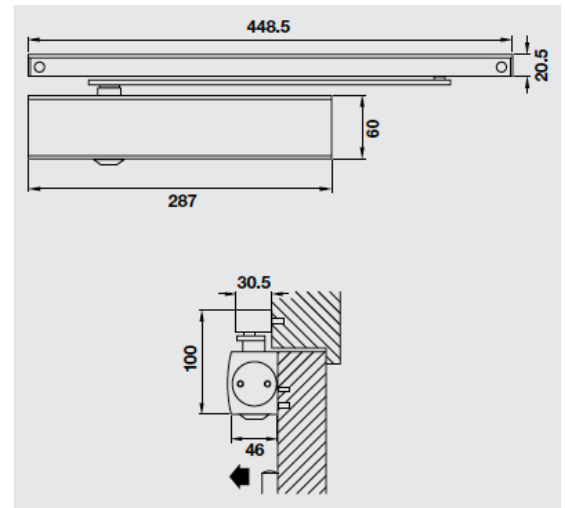
Fire resistance and smoke control

Tested for fire resistance and smoke control doors. Further information available upon request.

Overhead door closers

TS 5000 S

EN 2 - 5



+ Version:	Supplied with delayed closing action
+ Adjustment facility:	Closing force, closing speed, back check and latching action adjustable from the front
+ Installation:	Suitable for standard or overhead installation on pull side
+ Closing force:	2 – 6 in compliance with EN 1154
+ Door width:	<1,400
+ Opening angle:	<180°
+ Mounting:	For DIN left hand and DIN right hand use
+ Delayed closing action:	<30 seconds
+ Standard:	Certified in compliance with EN 1154:1996/A1:2002
+ Finish:	Silver coloured

Versions	Cat. No.
F TS 5000 S set with guide rail	931.11.859
TS 5000 S set with guide rail and hold-open insert	931.11.899

Packing: 1 piece



Fire resistance and smoke control

Tested for fire resistance and smoke control doors. Further information available upon request.

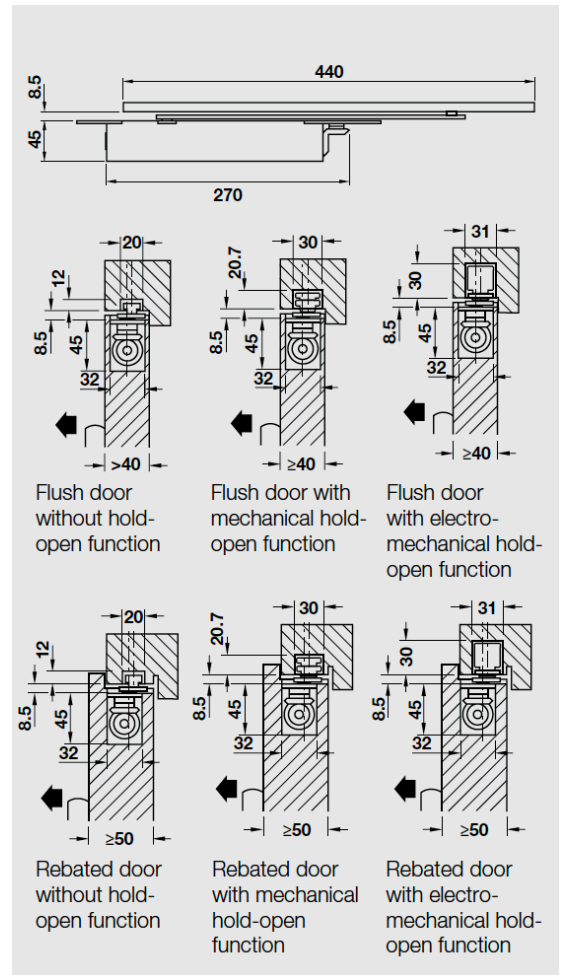


Concealed door closers

Concealed door closers

BOXER I

EN 2 - 4



+ Area of application:	Door closer and guide rail for concealed installation in door
+ Version:	With mechanical, electromechanical or without hold open function
+ Adjustment facility:	Closing force and closing speed continuously adjustable, latching action hydraulically adjustable, hydraulic backcheck adjustable
+ Closing force:	2 – 4 in compliance with EN 1154
+ For door thickness:	>40 mm
+ Door width:	<1,100 mm
+ Max. door weight:	130 kg
+ Opening angle:	<120°
+ Hold-open angle:	80-120°
+ Mounting:	For DIN left hand and DIN right hand use
+ Standard:	Certified in compliance with EN 1154:1996/A1:2002
+ Finish:	Silver coloured

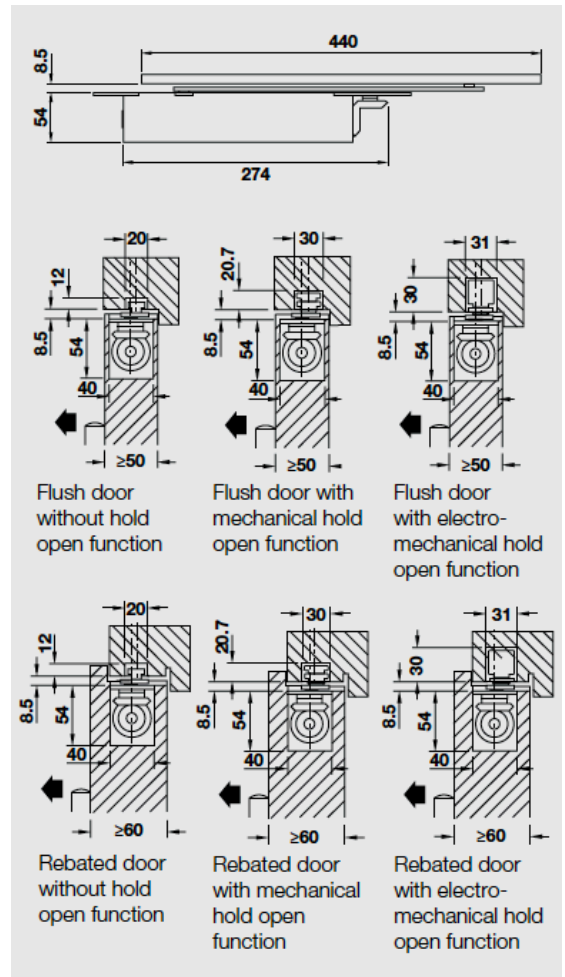
Versions	Cat. No.
Boxer I set with guide rail	931.14.689
Boxer I set with guide rail and hold-open insert	931.15.009
Boxer I set with guide rail and electromechanical hold-open function	931.14.529

Packing: 1 piece

Concealed door closers

BOXER II

EN 3 - 6



+ Area of application:	Door closer and guide rail for concealed installation in door
+ Version:	With mechanical, electromechanical or without hold-open function
+ Adjustment facility:	Closing force and closing speed continuously adjustable, latching action hydraulically adjustable, hydraulic back check adjustable
+ Closing force:	3 – 6 in compliance with EN 1154
+ For door thickness:	>50 mm
+ Door width:	<1,400 mm
+ Max. door weight:	180 kg
+ Opening angle:	<120°
+ Hold open angle:	80 – 120°
+ Mounting:	For DIN left hand and DIN right hand use
+ Standard:	Certified in compliance with EN 1154:1996/A1:2002
+ Finish:	Silver coloured

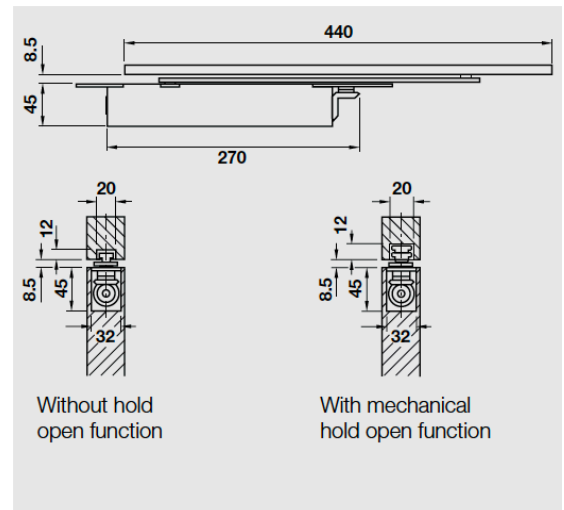
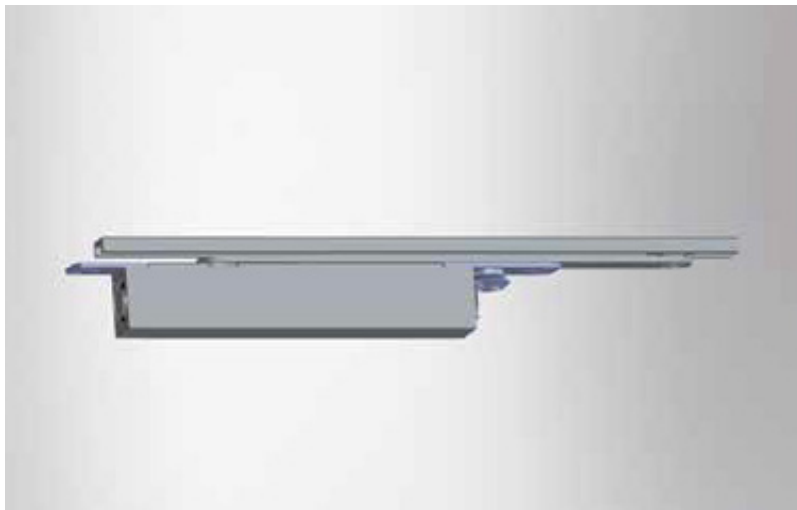
Versions	Cat. No.
Boxer II set with guide rail	931.14.699
Boxer II set with guide rail and hold-open insert	931.15.019
Boxer II set with guide rail and electromechanical hold-open function	931.14.559

Packing: 1 piece

Concealed door closers

BOXER P

EN 2 - 4



+ Area of application:	For double action doors, door closer and guide rail for concealed installation in door
+ Version:	With mechanical, electromechanical or without hold-open function
+ Adjustment facility:	Closing force, latching action, hydraulic backcheck and closing speed continuously adjustable
+ Closing force:	2 – 4 in compliance with EN 1154
+ For door thickness:	>40 mm
+ Door width:	<1,100 mm
+ Max. door weight:	80 kg
+ Opening angle:	<120°
+ Hold open angle:	80 – 120°
+ Standard:	Certified in compliance with EN 1154:1996/A1:2002
+ Finish:	Silver coloured

Versions	Cat. No.
Boxer P set with guide rail	931.14.789
Boxer P set with guide rail and mechanical hold-open function	931.14.789

Packing: 1 piece



Contact Us:

1300 12 OPEN
info@oasa.com.au
www.oasa.com.au